



ReachElite

Delivering the right light for your project

Product Guide

ReachElite



ReachElite High Punch
Powercore gen2, IntelliHue 200

ReachElite High Output Powercore, IntelliHue 100

Choose the versatile luminaires that deliver it all—from powerful punch to maximum output.



ReachElite High Punch Powercore gen2,
IntelliHue 300

In this guide:

Introduction	2
What makes ReachElite different?	7
Which ReachElite is right for you?	10
Our advanced technologies	13
Take a closer look	14
Get a complete solution	18
ReachElite showcase	20
Specifications	24

ReachElite means versatility

Our popular, proven ReachElite family of advanced LED luminaires meets the diverse needs of our customers around the world—and the exteriors they illuminate. No two projects are alike. But thanks to ReachElite family's remarkable versatility, you can deliver beautiful light to an impressive range of structures.

Need maximum lumens? Choose the remarkably high output of up to 87 lumens per watt provided by **ReachElite High Output**. Need delivered light that goes the distance? Choose **ReachElite High Punch**, a long-throw luminaire that can reach more than 1,000 feet. Choose 4-channel white or color-changing light options in the size you need, including 100W, 200W, and 300W options—plus a full range of accessories.

No matter what ReachElite luminaire you choose, you get the proven reliability that's built into every luminaire, thanks to its innovative design and meticulous manufacturing.

You also get the benefit of Color Kinetics advanced technologies, which help ensure color consistency and optimize performance. Complete your solution with controllers, power/data supplies, and monitoring and management. For versatility and performance, year after year, the choice is clear—the ReachElite family.



DEAD
END

Pride
+ joy

Pride
+ joy

Photography: Lerone Pieters

What makes ReachElite different?

The right LEDs for the output you need

ReachElite luminaires share many features and capabilities that differentiate the family from the competition—from its distinctive modular design to its proven rock-solid reliability. But at the core of ReachElite, you'll find a key innovation that enables ReachElite to meet the needs of a wide range of projects, illuminating diverse structures.

To see how the ReachElite family can do so much, take a closer look at the bright heart of ReachElite—its innovative LEDs.

The ReachElite family benefits from the advanced optics and LED control technology leadership of Color Kinetics, which enables breakthrough innovation in LED arrays.



ReachElite High Output features up to 87 lumens per watt (lm/W) with more than 500 mid-power LEDs per 100W module with a native 20° native beam.

Key differentiators: Maximum lumens, high efficiency, close mixing distance

Native beam angle: 20°

Ideal applications: Floodlighting, wall washing



ReachElite High Punch features 36 high-power LEDs per 100W module with a 3° native beam illuminating the tallest structures up to 571.1 m (1,874 ft) away with a 300W Essential White luminaire.

Key differentiators: Long throw, powerful punch, proven reliability

Native beam angle: 3°

Ideal applications: Grazing, spotlighting



It's simple— the right LEDs matter

All ReachElite modules look the same from the outside. But inside, there's a big difference.

ReachElite High Output uses more than 500 mid-power LEDs per 100W module, instead of the 36 high-power LED array used by **ReachElite High Punch**. This design innovation—unique to the marketplace—allows ReachElite High Output to achieve its remarkable output and other advantages:

Industry-leading output: Maximum lumens

ReachElite High Output achieve up to 87 lumens per watt—the kind of flux that specifiers dream about, and that many buildings require. With its innovative array, ReachElite High Output can provide fully mixed, uniform light to structures up to about five to seven stories high. For taller structures, ReachElite High Punch is the answer.

High efficacy means more output—lots more

ReachElite High Output luminaires also benefit from **FluxBoost** our proprietary power optimization technology, which increases lumen output. This technology continually adjusts power, increasing lumens up to 2-4x.

Instead of capping each channel's power at 25% this smart technology redirects power automatically, up to 100% to an individual channel.

The result? Significantly higher output.

Reduced mixing distance

ReachElite High Output's smaller LEDs and denser array reduce the mixing distance dramatically, so luminaires can be placed closer—providing more freedom to locate luminaires where you want. This unique array—plus a native 20 degree beam angle and internal diffuser—virtually eliminates pixelization. Instead, you see beautifully consistent, seamlessly mixed light, even up close. When it's visible, even the light source appears more integrated.

All ReachElite luminaires deliver these advantages

Beyond different LED arrays, ReachElite High Output and ReachElite High Punch share many common design features and light options.

Modular design

All ReachElite family luminaires are available in three versions—100 W, 200 W, and 300 W. Each luminaire contains either one, two, or three 100 W modules that can be aimed independently of each other, empowering lighting designers to use multiple applications and beam direction in a single luminaire.

Chromasync technology

Our advanced output optimization technology controls and boosts output while ensuring color consistency. When enabled, Chromasync ensures excellent color consistency between luminaires, without manually adjusting color points on each luminaire. And it ensures the same lumen output across all color temperatures.

Field-installed accessories

Choose from a full line of high-quality accessories, from seven different spread lenses, a louver, full and half glare shields, a rock guard, and a slipfitter mount for all ReachElite luminaires. Color Kinetics accessories make project customization simple. And these optional secondary accessories—combined with precise (and simple) aiming—let you get the look and performance necessary for any project.

Proven reliability

All ReachElite luminaires provide years of reliable use under rugged conditions. ReachElite raises reliability even further with more protection from corrosion by meeting ASTM B117 standard for > 1,500 hours of corrosion resistance and ANSI C136.31-2018 standard with a 5G vibration rating (3G with slipfitter), and elimination of water pooling on main cover lens and accessories.

Integrated Powercore technology

Our patented approach to power output proves that simple is better. As well as faster, more efficient, and accurate. Powercore controls power output to luminaires directly from line voltage. It merges line voltage with control data and delivers both over a single standard cable—dramatically simplifying installation and lowering total system cost.

Easily controlled

ReachElite luminaires work seamlessly with the Color Kinetics full range of controllers, as well as third-party controllers.



Photography: Nick Fewings

Light options that match your needs

When you choose ReachElite High Output or ReachElite High Punch, you get a range of four-channel options that let you get the light that's right for your project. All benefit from proven Color Kinetics technologies, including Powercore, our patented approach to power output, which controls power output to luminaires directly from line voltage.



100 200 300

ReachElite High Output Powercore, IntelliHue ReachElite High Punch Powercore gen2, IntelliHue

Innovative IntelliHue technology delivers high-quality tunable white light, as well as pastels and millions of saturated colors—all in one luminaire, and with unrivaled color accuracy across color temperatures.

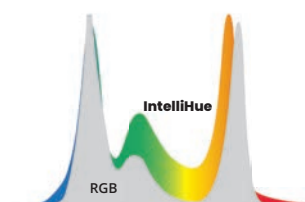
ReachElite High Output IntelliHue	
Power consumption	100, 200, or 300 W
Beam angles	20° Native*
Lumens	100 - 9,302 200 - 18,604 300 - 27,906

ReachElite High Punch gen2, IntelliHue	
Power consumption	100, 200, or 300 W
Beam angles	3° Native*
Lumens	100 - 4,345 200 - 8,690 300 - 13,035

*5°, 10°, 20°, 40°, 60°, 80°, 10° x 40° Optional field-installed spread lenses available for all ReachElite versions.

IntelliHue brings high output and high CRI

IntelliHue luminaires expand the possible output wavelengths significantly—especially when compared with traditional RGB output. And no matter what wavelength you choose, IntelliHue delivers high illuminance.





100 200 300

100 200 300

ReachElite High Output Powercore RGBW or RGBA ReachElite High Punch Powercore gen2, RGBW or RGBA

The four-channel RGBW option provides beautiful white light and saturated color, plus 4000K for cross specification and pastels.

The amber channel within RGBA expands the color range of warmer tones—gold, yellow, and orange.

ReachElite High Output RGBW

Power consumption	100, 200, or 300 W
Beam angles	20° Native*
Lumens	100 - 8,243 200 - 16,486 300 - 24,729

ReachElite High Punch gen2, RGBW

Power consumption	100, 200, or 300 W
Beam angles	3° Native*
Lumens	100 - 3,955 200 - 7,910 300 - 11,865

ReachElite High Output RGBA

Power consumption	100, 200 or 300 W
Beam angles	20° Native*
Lumens	100 - 5,217 200 - 10,434 300 - 15,651

ReachElite High Punch gen2, RGBA

Power consumption	100, 200 or 300 W
Beam angles	3° Native*
Lumens	100 - 3,403 200 - 6,806 300 - 10,209

*5°, 10°, 20°, 40°, 60°, 80°, 10° x 40° Optional field-installed spread lenses available for all ReachElite versions.



100 200 300

ReachElite High Output Powercore, eW ReachElite High Punch Powercore gen2, eW

For applications that require single white light, this option is perfect—and exceptionally bright.

ReachElite High Output eW

Power consumption	90, 180, or 270 W
Beam angles	26° Native*
Lumens	100 - 7,717 to 7,916 200 - 15,434 to 21,531 300 - 23,151 to 23,748

ReachElite High Punch gen2, eW

Power consumption	100, 200, or 300 W
Beam angles	3° Native*
Lumens	100 - 5,018 to 5,903 200 - 10,036 to 11,806 300 - 15,054 to 17,709

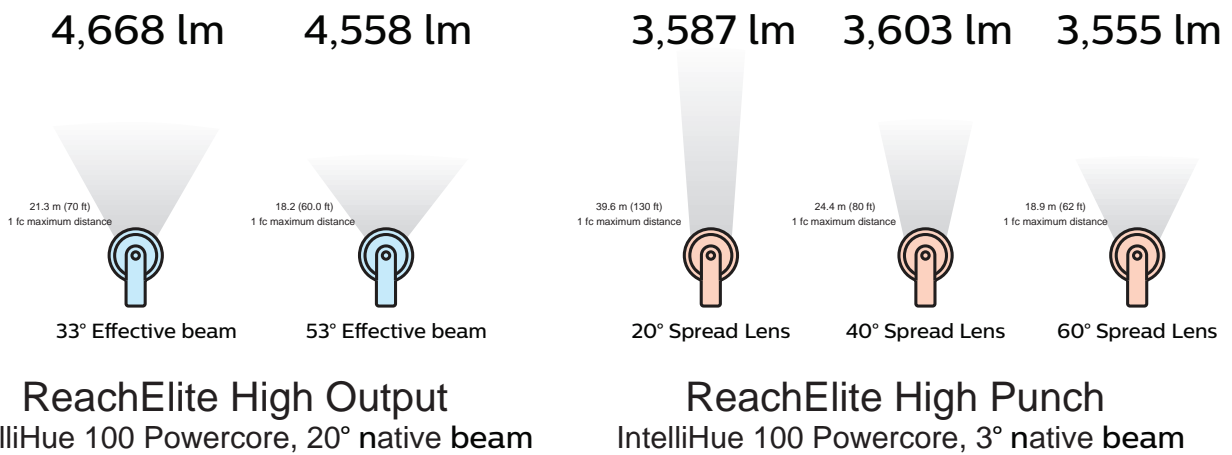
*5°, 10°, 20°, 40°, 60°, 80°, 10° x 40° Optional field-installed spread lenses available for all ReachElite versions.



Photography: Charles G. Stone II, Fisher Marantz Stone


ReachElite from all the angles

Beam angles let you deliver the exact light you need for a specific application—whether it’s smooth floodlighting, or pinpoint spot lighting. ReachElite High Punch and ReachElite High Output offer different beam angles, as well as diffuser lens, which give you precision control over how your exterior is illuminated.



Field-installed spread lenses let ReachElite luminaires cover a remarkable range of distances—and illuminate diverse structures.

Our advanced technologies raise the bar



Color Kinetics is setting new standards for consistency and accuracy by developing advanced technologies that work together to deliver escalating levels of quality, performance, and accuracy.

Optibin

Our LED optimization technology begins the color consistency process by grouping (or binning) LEDs by flux as well as center wavelength. This proprietary binning optimization process uses an advanced bin selection formula that exceeds industry standards for chromaticity. The result? Higher uniformity and consistency of hue and color temperature for all our luminaires. Integrated into all ReachElite luminaires.

Chromasync

Our advanced output optimization technology controls and boosts output while ensuring color consistency. When enabled, Chromasync ensures excellent color consistency between luminaires, without manually adjusting color points on each luminaire. And it ensures the same lumen output across all color temperatures. Integrated into ReachElite color luminaires only.

IntelliHue

Our advanced approach to color mixing produces high-quality white light, subtle pastels, and fully saturated colors in the same precisely controllable luminaire. All with unrivaled color accuracy across the entire range of color temperatures. Available on ReachElite IntelliHue luminaires.

Powercore

Our patented approach to power output proves that simple is better. As well as faster, more efficient, and accurate. Powercore controls power output to luminaires directly from line voltage. It merges line voltage with control data and delivers both over a single standard cable—dramatically simplifying installation and lowering total system cost. Integrated into all ReachElite luminaires.

FluxBoost

FluxBoost is a breakthrough technology that optimizes power and quality. With FluxBoost, an installation can use more of the power budget allocated to the project, enabling significantly higher output, creating more saturated colors, reducing waste and increasing efficiency.

To find out how innovative technologies within our advanced luminaires can help you do more, visit www.colorkinetics.com/Learn.

Take a closer look

You'll find innovative design, precision manufacturing, and built-in reliability in each element of every ReachElite luminaire.

Rotation, rotation, rotation

Aim your luminaires with precision.

ReachElite High Output Powercore IntelliHue 100

Ideal for Floodlighting and Wall Washing

Simple installation

Push-and-click connectors and a single leader cable for each luminaire makes installations fast and easy.

No pooling

Smart design keeps water from pooling on the glass lens.



ReachElite High Punch Powercore gen2, IntelliHue 100

Perfect for Spot Lighting and Wall Grazing

Rugged

Every ReachElite is IP66-rated, with a die-cast aluminium housing, powder-coated finish and a tempered glass lens.

- Sturdy mounting bracket ensures the luminaire stays in place.
- Vibration resistance Complies with ANSI C136.31 5G (3G with Slipfitter mount)
- Mechanical impact IK09 (IK10 with louver or wire rock guard accessory).
- Corrosion resistance Complies with ASTM B117 standard for > 1,500 hours.
- Surge protection - 4KV



Innovative LEDs

ReachElite High Punch features high-power LEDs that reach remarkable distances with powerful punch, while more (and smaller) mid-power LEDs let ReachElite High Output achieve up to 87 lm/W, with industry-leading efficiency.

ReachElite High Punch features a 3° beam angle that delivers light where you want it, even distant details.

ReachElite High Output features a 20° beam angle that enables it to output bright, exceptionally uniform light over broad exterior areas.

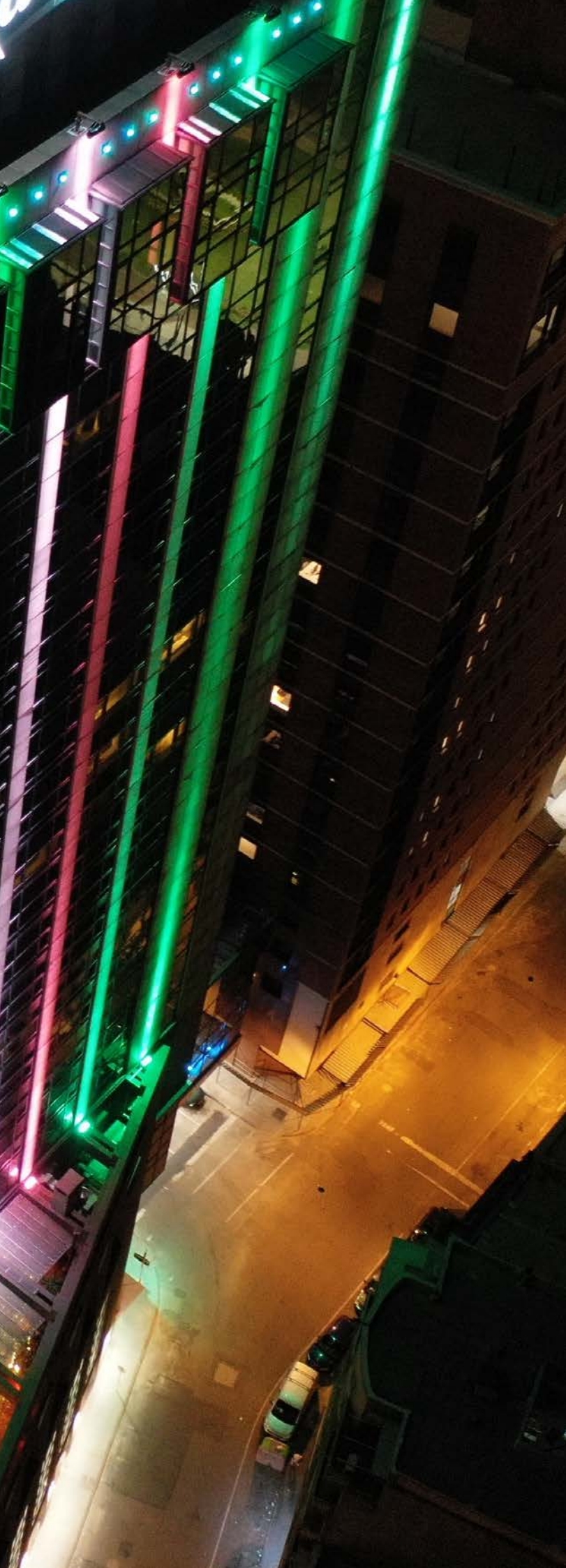
Accessory options

Choose from a full line of high-quality accessories, including spread lenses, glare shields, slip fitter, and rock guard.





Photography: Victoria Plaza Hotel Staff



Why is ReachElite High Punch so unique?

LED luminaires are commonly marketed by their lumen output, or how much light they emit. Punch, on the other hand, is essentially how much of the emitted light is delivered to a targeted area. These two specifications are related, but illustrate two very different characteristics of a LED luminaire.

Flood lights are generally used to illuminate large areas, so lumen output far out weights punch. On the other hand, a spot light used to direct light on a specific area is more effective with a high amount of punch. Lumen output is important, but it is far less valuable if the majority of the light isn't hitting your target.

ReachElite High Punch luminaires provides a truly unprecedented amount of punch. With its native beam angle of an extremely narrow 3°, ReachElite High Punch delivers light to an extremely precise target area with a very high punch rate. The tighter the beam, the more concentrated the light is.

If you are looking for more standard floodlighting applications ReachElite High Output with its native 20° native beam is the perfect solution. But if you want high punch, keeping the angle below 5° will yield incredible results.

[Read More about how we tested ReachElite High Punch >>](#)

Exceptional lighting takes more than a luminaire

To unlock the full potential of your ReachElite luminaires, you need the right components to power and control them. Color Kinetics completes your solution with:

Controllers

Our broad line of controllers brings you differing capabilities that match your specific needs, the complexity of your project, and your budget. Our controllers offer the industry-standard DMX protocol, or our proprietary, scalable KiNET protocol for Ethernet networks. Because of addressing limitations, DMX is appropriate for relatively simple installations, or for light shows in which multiple ReachElite luminaires operate in unison.

Because it is not subject to DMX addressing limitations, Ethernet is the preferred environment for intricate color-changing light shows. And ReachElite can also be used with third-party controllers.



Power/Data Supplies

All ReachElite luminaires accept either DMX or Ethernet input and 100 to 277 VAC power from Data Enabler Pro.

Monitoring and Management

Interact Landmark (formerly Philips ActiveSite) is the first-ever cloud-hosted connected lighting system for architectural LED lighting installations. Interact Landmark allows you to remotely monitor, manage, and maintain an installation site from anywhere in the world, using a secure web connection.

ReachElite High Punch energizes a legendary hotel



Photography: Victoria Plaza Hotel Staff

ReachElite High Punch is perfect match for hotels and other large buildings.

A recent project enhanced the Victoria Plaza Hotel and surrounding area by illuminating the hotel's façade using a dynamic, versatile lighting solution that gives the hotel new vitality and enables custom light shows for different themes, festivals, and special dates. All with low power consumption and minimal maintenance. Project leaders selected ReachElite High Punch luminaires (46 in all) due to the size of the building, high quality, variety of optics, power, and range of colors required for the project.

Product

ReachElite High Punch luminaires

An iconic bridge shines at night



Photography: Kolkata Port Trust

Howrah Bridge is the sixth-longest cantilever bridge in the world.

To highlight this engineering marvel, local officials installed a lighting system consisting of 650 dynamic colored LED light points, including Color Kinetics ReachElite High Punch IntelliHue Powercore and Color Kinetics ArchiPoint iColor Powercore. ReachElite High Punch provided the precise beam angle, high CRI, and reliability that the project required.

This installation features programmable light shows that can be synced with music, making it attractive for tourists and residents during the evening hours. It provides greater flexibility to display multiple lighting scenes, including a daily scene, a special weekend scene, festival scenes, and the freedom to design new scenes for social messaging on a variety of relevant occasions.

Product

ReachElite High Punch IntelliHue luminaires, ArchiPoint iColor Powercore luminaires

Cultural hub customizes its look with light



Photography: Istavrit Agency

As part of an overall beautification effort by the city of Ankara, city leaders added bright, color-changing lighting from Color Kinetics to its landmark North Ankara Amphitheatre.

Color Kinetics ReachElite High Output luminaires illuminate the large steel membrane that covers the amphitheater. To cover the entire structure with light, lighting designers used different beam angles to account for the massive area created by the curve of the steel membrane. A narrow beam directs to the furthest end of the membrane, a medium-sized beam reaches the middle of the membrane and a wide beam lights the base of the structure.

This approach created extremely even lighting across the covering, which can change color based on the current event taking place at the amphitheater.

Product

ReachElite High Output luminaires

Light breathes new life into an historic city



Located near the Portuguese border, Badajoz is a historic Spanish city that contains many heritage sites.

To boost tourism and nightlife, the city commissioned Bastions of Light, a lighting project that would showcase six of its most iconic areas by highlighting Badajoz's unique heritage.

Several LED solutions were used to highlight selected sites in dynamic color. For example, the Plaza Alta is now a head-turning masterpiece of light and architecture, thanks to the inspiring illumination delivered by ReachElite High Output luminaires. The lights shine colors up through the arches, creating captivating shadow effects.

The lighting project has helped Badajoz increase hotel occupancy, annual income, and tourism—creating an impressive return on its investment. All while reducing energy and maintenance costs.

Product

ReachElite High Output luminaires

Specifications

Measurements for native (no spread lens) beam angle shown. Additional beam angle measurements can be found on the respective ReachElite product pages. For CRI information see Specification Sheets on the product pages.

Products	Lumens	Efficacy lm/W
ReachElite High Output Powercore, IntelliHue 100	9,302	87.2
ReachElite High Output Powercore, IntelliHue 200	18,604	87.2
ReachElite High Output Powercore, IntelliHue 300	27,906	87.2
ReachElite High Output Powercore, RGBW 100	8,243	77.4
ReachElite High Output Powercore, RGBW 200	16,486	77.4
ReachElite High Output Powercore, RGBW 300	24,729	77.4
ReachElite High Output Powercore, RGBA 100	5,217	48.9
ReachElite High Output Powercore, RGBA 200	10,434	48.9
ReachElite High Output Powercore, RGBA 300	15,651	48.9
ReachElite High Output Powercore, eW 100 (3000 K to 4000 K)*	7,717 to 7,916	85 to 88.2
ReachElite High Output Powercore, eW 200 (3000 K to 4000 K)*	15,434 to 15,832	85 to 88.2
ReachElite High Output Powercore, eW 300 (3000 K to 4000 K)*	23,151 to 23,748	85 to 88.2

ReachElite High Punch Powercore gen2, IntelliHue 100	4,345	46.0
ReachElite High Punch Powercore gen2, IntelliHue 200	8,890	46.0
ReachElite High Punch Powercore gen2, IntelliHue 300	13,235	46.0
ReachElite High Punch Powercore gen2, RGBW 100	3,955	42.5
ReachElite High Punch Powercore gen2, RGBW 200	7,910	42.5
ReachElite High Punch Powercore gen2, RGBW 300	11,865	42.5
ReachElite High Punch Powercore gen2, RGBA 100	3,403	36.0
ReachElite High Punch Powercore gen2, RGBA 200	7,006	36.0
ReachElite High Punch Powercore gen2, RGBA 300	10,409	36.0
ReachElite High Punch Powercore gen2, eW 100 (3000 K to 4000 K)*	5,018 to 5,903	56.7 to 66.3
ReachElite High Punch Powercore gen2, eW 200 (3000 K to 4000 K)*	10,036 to 11,806	56.7 to 66.3
ReachElite High Punch Powercore gen2, eW 300 (3000 K to 4000 K)*	15,054 to 17,709	56.7 to 66.3

* eW is also available in 2700 K and 3500 K

General information

Beam Angles	High Output 20° native (eW 26° native) High Punch 3° native Available spread lenses 5°, 10°, 20°, 40°, 60°, 80°, 10° x 40°	
	ReachElite High Output 20° native + 10° Spread = 24° Effective beam 20° native + 20° Spread = 33° Effective beam 20° native + 40° Spread = 55° Effective beam 20° native + 60° Spread = 73° Effective beam 20° native + 80° Spread = 88° Effective beam 20° native + 10x40° Spread = 25x43° Effective beam	ReachElite High Punch 3° native + 5° Spread = 5° Effective beam 3° native + 10° Spread = 10° Effective beam 3° native + 20° Spread = 20° Effective beam 3° native + 40° Spread = 40° Effective beam 3° native + 60° Spread = 60° Effective beam 3° native + 80° Spread = 80° Effective beam 3° native + 10x40° Spread = 10x40° Effective beam
LED Channels	IntelliHue—Red/Green/Blue/Mint White RGBW—Red/Green/Blue/4000 K RGBA—Red/Green/Blue/Amber eW—2700 K, 3000 K, 3500 K, or 4000 K	
Input Voltage	100 to 277, auto-ranging, 50/60 Hz	
Housing Material	Die-cast aluminium, powder-coated finish	
Lens	Clear tempered glass	
Vibration Resistance	Complies with ANSI C136.31 with a 5G vibration rating (3G with Slipfitter mount)	
Mechanical Impact	IK09 (IK10 with Louver or Wire Rock Guard accessory)	
Corrosion Resistance	Complies with ASTM B117 standard for > 1,500 hours	
Approbations	UL/cUL, FCC Class A, PSE, CQC, RCM. CE all except ReachElite High Output Powercore, eW	
Environment	Dry/Damp/Wet Location, IP66	
Weight	100—14.5 kg (32 lb), 200—28 kg (62 lb), 300—41 kg (90 lb)	
Dimensions	100—285.22 x 647.25 x 196 mm (11.25 x 25.5 x 7.68 in) 200—344.2 x 702.8 x 406 mm (13.56 x 27.68 x 16 in) 300—449.3 x 702.8 x 615.8 mm (17.68 x 27.68 x 24.25 in)	

For further information

ReachElite is available in many different configurations and can be fitted with an array of accessories specifically designed for the luminaire family. Complete details of every family, including Installation Instructions, Specification Sheets, .ies files, and product drawings, can be found on the respective product pages.



ReachElite High Output Powercore, IntelliHue



ReachElite High Output Powercore, RGBW



ReachElite High Output Powercore, RGBA



ReachElite High Output Powercore, eW



ReachElite High Punch Powercore gen2, IntelliHue



ReachElite High Punch Powercore gen2, RGBW



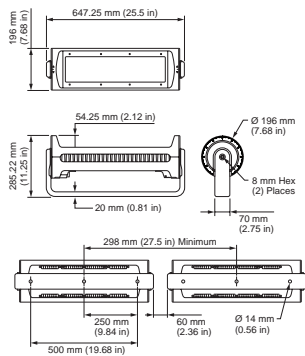
ReachElite High Punch Powercore gen2, RGBA



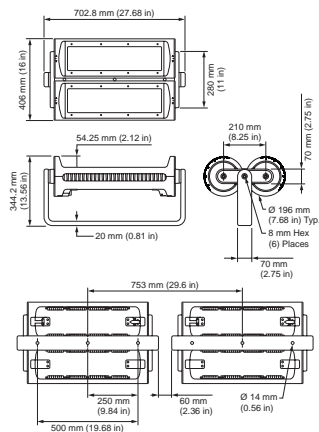
ReachElite High Punch Powercore gen2, eW

Dimensions

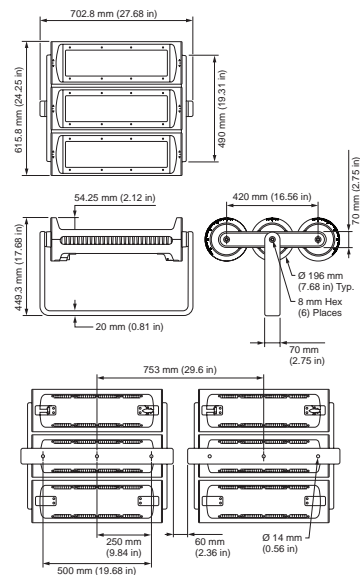
ReachElite 100



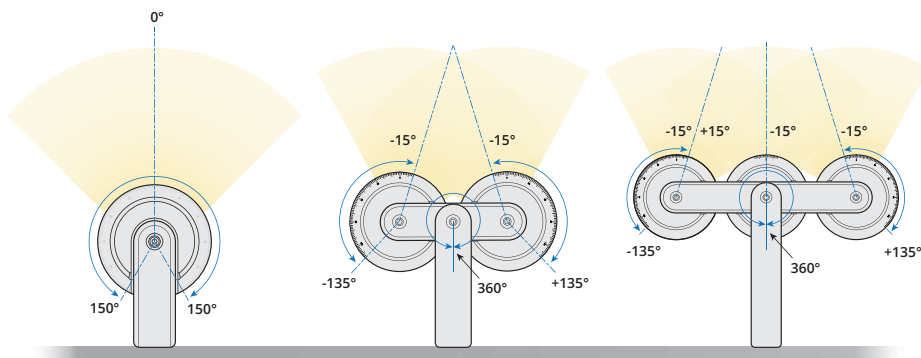
ReachElite 200



ReachElite 300

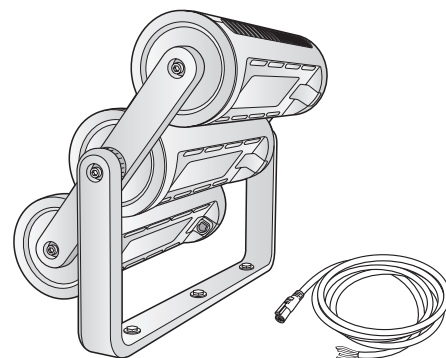


Configurations



Each ReachElite 100, 200, and 300 require a single leader cable.

ReachElite may be removed from the mounting yoke to assist in mounting, or to reverse the location of the leader cable attachment to the luminaire.



Accessories

	Item Number	Item 12NC
Spread Lens With Trim Bezel, 5°/24° (Very narrow spot)	120-000197-06	912400135536
Spread Lens With Trim Bezel, 10°/24° (Narrow spot)	120-000197-07	912400135537
Spread Lens With Trim Bezel, 20°/33° (Spot)	120-000197-08	912400135538
Spread Lens With Trim Bezel, 40°/55° (Flood)	120-000197-09	912400135539
Spread Lens With Trim Bezel, 60°/73° (Wide flood)	120-000197-10	912400135540
Spread Lens With Trim Bezel, 80°/88° (Very wide flood)	120-000197-11	912400135541
Spread Lens With Trim Bezel, 10° x 40°/25° x 43° (Asymmetric)	120-000197-12	912400135542
Leader Cable, 10 ft, CE	108-000055-04	910503704067
Leader Cable, 10 ft, UL	108-000055-03	910503704066
Leader Cable, 50 ft, CE	108-000055-01	910503704064
Leader Cable, 50 ft, UL	108-000055-00	910503703137
Leader Cable, 50 ft, CCC	108-000055-02	910503704065
Louver	120-000197-02	912400135532
Rock Guard	120-000197-03	912400135533
Half Glare Shield	120-000197-01	912400135531
Full Glare Shield	120-000197-00	912400135530
Slipfitter Mount, 2-3/8in	120-000197-04	912400135534
Power Supplies		
Data Enabler Pro, 3/4 in / 1/2 in NPT (U.S. trade size conduit)	106-000004-00	910503701210
Data Enabler Pro, PG21/PG13 (metric size conduit)	106-000004-01	910503701211

© 2022 Signify Holding. All rights reserved. The information provided herein is subject to change, without notice. Signify does not give any representation or warranty as to the accuracy or completeness of the information included herein and shall not be liable for any action in reliance thereon. The information presented in this document is not intended as any commercial offer and does not form part of any quotation or contract, unless otherwise agreed by Signify.

All trademarks are owned by Signify Holding or their respective owners.

Cover photography credits: Sophia Sideri



www.colorkinetics.com