

Graze

Illuminate the defining details

Graze



Capture the personality of a structure by highlighting its defining details—from surface textures and moldings to archways and windows.



In this guide:

Introducing Graze	02
What makes Graze different?	06
Color Kinetics technologies	07
Graze portfolio	08
Explore the Graze family	10
Graze key features	14
Graze lighting from all angles	16
Graze Compact key features	20
Graze Compact lighting from all angles	22
Complete solution	24
Showcase	26
Graze specifications	34
Graze Compact specifications	38





Define the details

How can you make almost any structure stand out? Emphasize its details in a fresh, new way with Color Kinetics Graze Powercore, advanced LED lighting that highlights details and brings new attention to thousands of buildings and their structures around the world.

Graze is a high-performance exterior linear luminaire designed to highlight architectural features—from surface textures and molding details to archways and windows. For more than a decade, Graze has been bringing new excitement and beauty to buildings in the frozen tundra of Alaska, blazingly hot Dubai, and everywhere in between. Now the latest generation of Graze brings you even more capabilities and possibilities. Plus the advanced design and rock-solid reliability that differentiate all Color Kinetics luminaires.

An advanced, low-profile design lets Graze fit seamlessly into old and new buildings and other structures. With Graze, your exterior lighting stays out of sight while illuminating what really matters—the intricate details and defining elements that make your building unique.

Photography: iStock

What makes Graze different?

Go the distance with exceptional lines of light

Photography: Redshift Photography and Architainment Lighting

Although the name of the luminaire is Graze, wall grazing is only one of the many ways to integrate Graze in an installation. The linear shape makes it a perfect luminaire to use when long surfaces need to be evenly lit.

Graze luminaires can be installed parallel to a wall, allowing consistent color and brightness over a long run, alleviating hot spots and scalloping. Wall grazing is achieved by installing Graze luminaires close to a wall to emphasize textures, while moving Graze luminaires further away from the same wall can produce a washing effect, evenly illuminating surfaces.

Graze is also a great choice for direct view, pathway lighting, arch and window lighting, outdoor cove, and ambient lighting applications.

Graze works well when paired with other Color Kinetics luminaires, especially as a fill-in light for areas other luminaires are unable to hit. What Graze does best, regardless of the lighting application, is highlight and differentiate the various segments and unique areas of any exterior architectural structure. Graze is the right luminaire to use when you want to show off intricate textural designs on a building that are not always evident at a casual glance. Graze luminaires use light to magnify and highlight the little details that give any building its identity.

Our advanced technologies raise the bar

Color Kinetics is setting new standards for consistency and accuracy by developing advanced technologies that are integrated into our luminaires, including our Flex family. These technologies work together to deliver ever-escalating levels of quality, performance, and accuracy required for your most innovative and ambitious projects.

Optibin

Our LED optimization technology begins the color consistency process by grouping (or binning) LEDs by flux as well as center wavelength. The result? Higher uniformity and consistency of hue and color temperature for all our luminaires. *Integrated into all Graze luminaires.*

Chromasync

Our advanced output optimization technology controls and boosts output while ensuring color consistency. When enabled, Chromasync ensures excellent color consistency between luminaires, without manually adjusting color points on each luminaire. And it ensures the same lumen output across all color temperatures.

Integrated into all Graze luminaires.

IntelliHue

Our advanced approach to color mixing produces high-quality white light, subtle pastels, and fully saturated colors in the same precisely controllable luminaire. All with unrivaled color accuracy across the entire range of color temperatures.

Available on Graze IntelliHue luminaires.

Powercore

Our patented approach to power output proves that simple is better. As well as faster, more efficient, and accurate. Powercore controls power output to luminaires directly from line voltage. It merges line voltage with control data and delivers both over a single standard cable.

Integrated into all Graze luminaires.

FluxBoost

FluxBoost is a breakthrough technology that optimizes power and quality. With FluxBoost, an installation can use more of the power budget allocated to the project, enabling significantly higher output, creating more saturated colors, reducing waste and increasing efficiency.

Available on Graze Compact luminaires.

A Wide Range of Choices

Graze Powercore comes in various light options, and can be fitted with an array of accessories specifically designed for the luminaire family. So there are many options to choose from when selecting the ideal Graze for the job.

When it comes to light output options all offer unique qualities that can be utilized in different ways, depending on the requirements of your installation. IntelliHue is perfect for dialing in precise and consistent colors across multiple luminaires, while Essential White is the definitive choice for high quality white light.

With so many options, the choice is yours.

IntelliHue

High-quality white light, subtle pastels, and saturated colors, all with unrivaled color accuracy across the entire range of color temperatures.

RGBW

Better-quality white light as compared to RGB.

RGBA

Expanded color range of warmer tones—gold, yellow, and orange, as compared to RGB.

eW (Essential White)

White light in 3000 K, or 4000 K.

Find the luminaire that's right for your project

The Graze family of luminaires is impressively large, with hundreds of products. With so many choices it's easy to find the right luminaire for your project.

Graze means choice

Graze MX—Premium

Features the most light output and the most light color options in the Graze line. Perfect for high-intensity multi-story façade and surface illumination. Includes Graze IntelliHue, and MX4 (RGBA, RGBW).

Graze QLX—Performance

Perfect for multi-story grazing and surface illumination applications calling for a balance of cost and performance.

Graze Compact

Ultra-low profile, is half the size of Graze, discretely fits into almost any layout.

	Product Families		
	Graze		Graze Compact
	MX	QLX	
Light Output Options			
IntelliHue	●		●
RGBW	●		●
RGBA			●
eW (Essential White)	●	●	
Beam Angles			
9° x 9°	●	●	
10° x 60°	●	●	●
15° x 30°	●	●	
30° x 60°	●	●	●
60° x 30°	●	●	
60° x 60			●
Lengths			
305 mm (1 ft)	●	●	●
610 mm (2 ft)	●	●	●
914 mm (3 ft)	●	●	●
1219 mm (4 ft)	●	●	●

1 and 4 ft lengths are standard for all luminaires. 2, and 3 ft lengths are standard for IntelliHue, and available as custom configurations for RGBW, RGBA, and all White luminaires.

Graze & Graze Compact

To meet the needs of a broad range of lighting projects, we have expanded our premier family of linear LED lighting solutions to include both Graze and Graze Compact.

Graze Powercore

our high-performance exterior linear luminaire, has been bringing excitement and beauty to buildings for more than a decade. Offering the widest range of light output, light color options, and beam angles, Graze is the perfect choice for your project.

Graze Compact Powercore

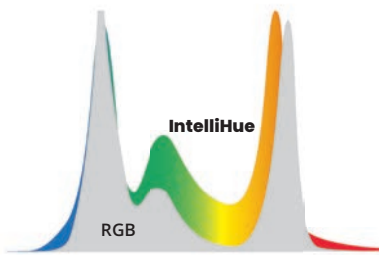
is the smallest exterior linear grazing luminaire on the market. So it can fit in almost anywhere. Like all Graze luminaires, Graze Compact is designed to highlight architectural features—from surface textures and molding details to archways and windows. But its streamlined design lets it blend seamlessly into the background. So you see the light, not the lighting.

Graze Powercore IntelliHue

For white light that you can tune and tint—plus dynamic color light all in one luminaire



IntelliHue brings high output and high CRI



As lighting professionals know, all white light is not the same. Different tints and color temperatures can make a significant difference. Simply put, ColorGraze IntelliHue delivers the highest quality white light in the Graze family. Plus great color and dynamic color light.

ColorGraze IntelliHue delivers exceptional white light, as well as rich, saturated, color light and color-changing effects—all in the same precisely controllable luminaire. Breakthrough IntelliHue technology from Color Kinetics enables ColorGraze IntelliHue to produce millions of saturated colors and pastels, as well as tintable, tunable white light. It's a combination that works well when you need a luminaire that can do it all, and give you greater control over your white light. IntelliHue achieves higher CRI—greater than 80 CRI—compared to RGBA and RGBW luminaires, ensuring high-quality white and color light.

IntelliHue luminaires expand the possible output wavelengths significantly— especially when compared with traditional RGB output. And no matter what wavelength you choose, IntelliHue delivers high illuminance.

Graze MX4 Powercore, RGBW

Choose Graze RGBW luminaire



Choose the right 4-channel solution for your application.

Graze MX4 Powercore, RGBW luminaires add a separate white LED that creates better-quality whites than possible with traditional RGB. Choose it when you need quality white light and color in the same luminaire.

eW Graze Powercore

High-intensity white luminaires give you even more options



Some applications only require white in a specific CCT. That's why the Graze family includes Essential White (eW) options.

Choose **eW Graze Powercore** when you want bright white light in two power levels, and two standard color temperatures.

While **Graze MX Powercore gen2, eW with Digital Dimming** luminaires offer digital dimming from 0% to 100% via Data Enabler Pro and a full range of DMX and Ethernet lighting controllers.

No matter what Graze luminaire you choose, you get the flexibility of selecting an option that matches your specific needs—plus the confidence that comes from choosing a high-performance luminaire with a proven track record of reliability.

Take a closer look

Rugged use

Graze luminaires achieve their exceptional reliability with an extruded, anodized aluminium body (IP66-rated) and a UV-protected polycarbonate lens.

2 output options

MX (Premium)
QLX (Performance, eW only)

Available in 4 lengths

Fit anywhere, no matter the dimensions.
305 mm (1 ft)
610 mm (2 ft)*
314 mm (3 ft)*
1219 mm (4 ft)



* 1 and 4 ft lengths are standard for all luminaires. 2, and 3 ft lengths are standard for IntelliHue, and available as custom configurations for RGBW and all White luminaires.

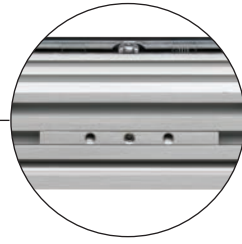


Push-and-click

Waterproof connectors

Adjustable hinge mounting location

Loosen set screw with a 2.5 mm hex and position to the left or right.



Versatile mounting hinge

Multiple mounting points provide versatile options.



Robust range of accessories are available

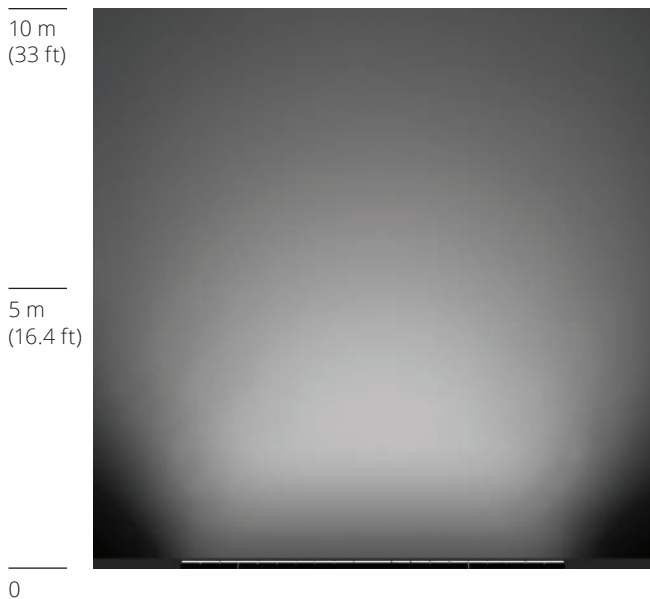
Glare shields, inground enclosures, masking shields, mounting arms, symmetric louvers.



A wide variety of beam angles

See how adjusting the setback distance closer adds emphasis, highlight, and drama—while placing the luminaires further back can deliver smoother, more even illumination.

This example shows our flexible ColorGraze MX4 (RGBW) Powercore luminaires with a 10° x 60° beam angle, not rotated.



Use a 10° x 60° beam angle set 0.5 m (1.6 ft) back from the wall to add drama and emphasis to an installation.



For more even illumination, use a 1 m (3.2 ft) setback.

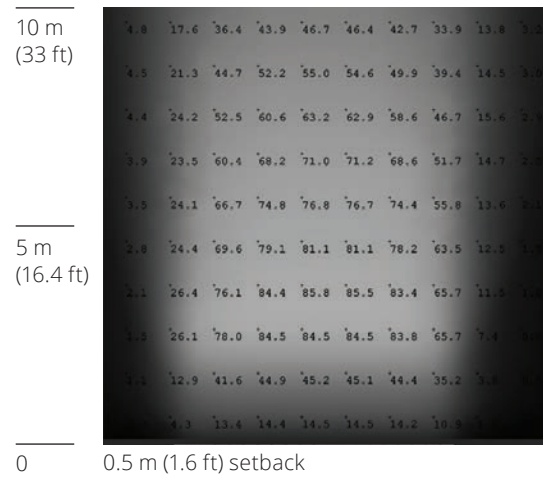
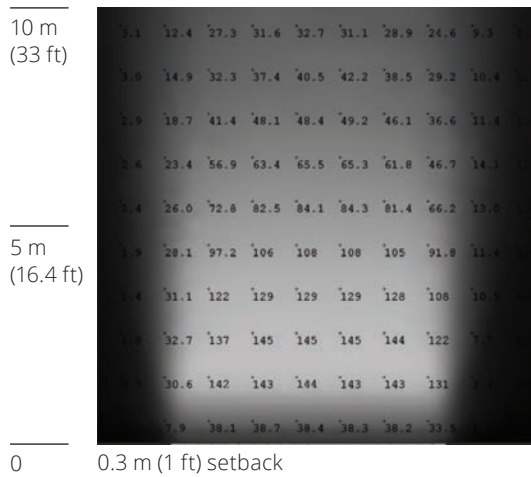
9° x 9° beam angle

Recommended distance

Up to 20 m (65 ft) or more

Features

With its sharp beam edge, the 9° x 9° beam angle delivers excellent light control and enables you to use a pixel effect on a façade.



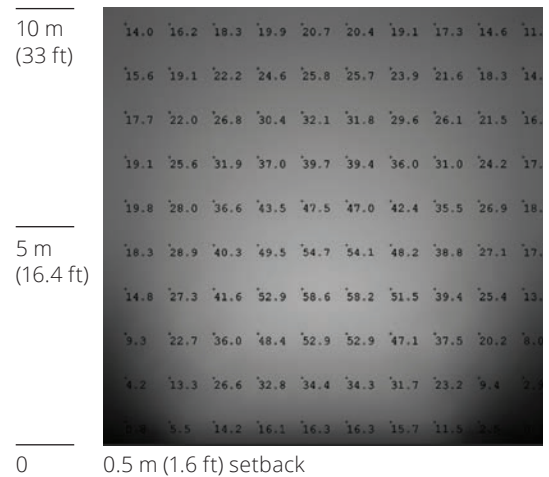
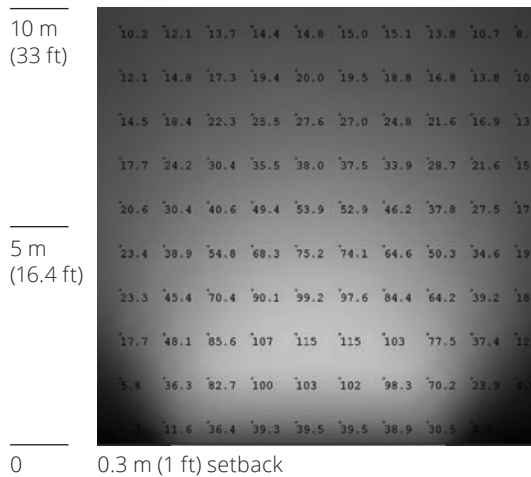
10° x 60° beam angle

Recommended distance

Up to 15 m (49 ft)

Features

This popular beam angle features great near-field color mixing and exceptional horizontal spread, so you'll need fewer luminaires per run.



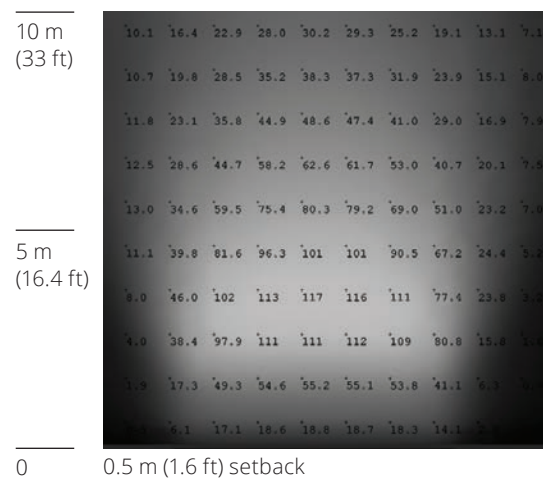
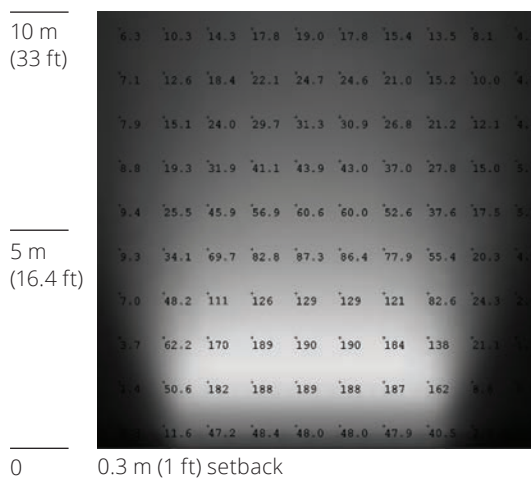
15° x 30° beam angle

Recommended distance

5 to 10 m (15 to 33 ft)

Features

The 15° x 30° beam angle features a 6 m (20 ft) band of light that can bring new attention and emphasis to architectural features and details. It offers more contrast and better near-field color mixing than the 9° x 9° beam angle.

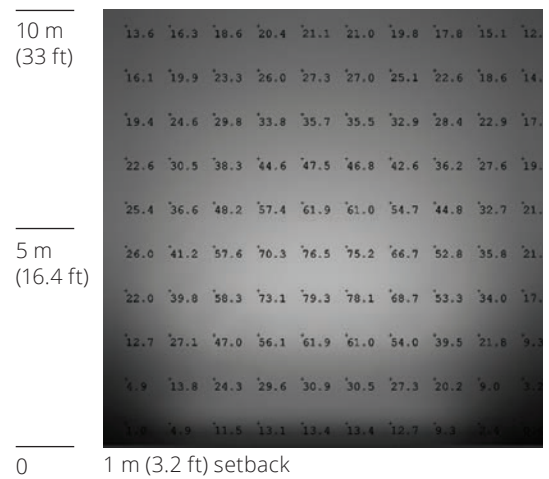
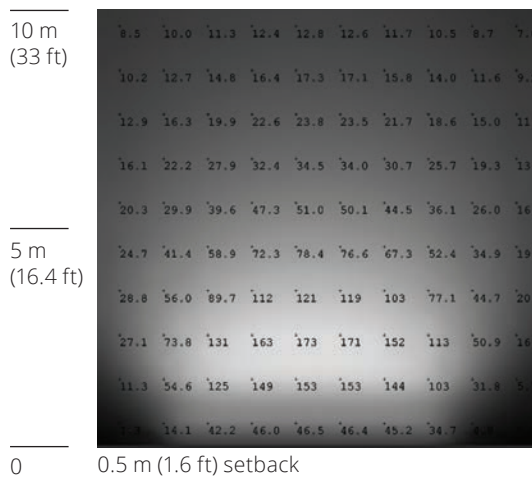


30° x 60° beam angle

Recommended distance
Up to 10 m (33 ft)

Features

The 30° x 60° beam angle offers significant, even light output at its preferred setback of 1 m (3.2ft). Move it closer and the light becomes extremely concentrated.

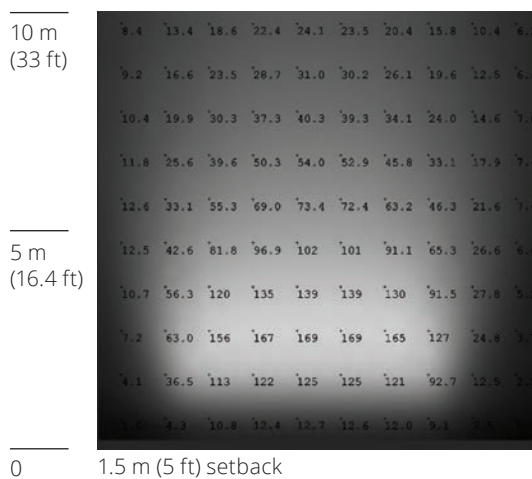


60° x 30° beam angle

Recommended distance
Up to 10 m (33 ft)


Features

The 60° x 30° beam angle features extremely even illumination at its preferred setback of 1.5 m (5 ft)—making it perfect for wall washing applications. It also offers the most concentrated illumination in a 5 m (15 ft) area.



Values are shown in lux. For footcandles multiply lux by 0.093.

Each rendering represents five 1219 mm (4 ft) Graze MX4 RGBW luminaires connected end-to-end, set at various distances from a 10 m (33 ft) wall, not rotated. All renderings were created from .ies files available on the specific product pages.



Reliability to the extreme

Since we introduced Graze to the market in 2008, it has earned a reputation as a durable and reliable workhorse, day in and day out.

Many, many miles of Graze have been installed in thousands of locations all over the world, proving its remarkable reliability. As you know, exterior lighting can be a real challenge thanks to extreme temperatures, wind, rain, ice, and vibration. Graze meets those challenges by continuously improving year after year. But it also remains true to its roots by providing gold-standard illumination that stands the test of time.

Graze Compact key features



Graze Compact Powercore, IntelliHue

White light you can tune and tint—plus dynamic color light all in one luminaire

Graze Compact is a high-performance, exterior linear luminaire designed to highlight architectural features like molding details, archways and windows up to two stories high. Graze Compact IntelliHue utilizes Color Kinetics IntelliHue technology to produce millions of saturated colors, pastels, and high-quality white light—all in the same precisely controllable luminaire.



Graze Compact Powercore, RGBW

Enhanced white light in a four-channel luminaire

Graze Compact RGBW luminaires add a separate white LED creating better-quality whites compared to RGB.



Graze Compact Powercore, RGBA

Enhanced reds and golds in a four-channel luminaire

Graze Compact RGBA luminaires add a separate amber LED which expands the available range of colors to include warmer tones, such as rich gold, yellow, and orange shades.



Ultra compact form factor

Graze Compact's ultra-low profile is half the size of Graze, allowing it to fit discretely into almost any layout, from simple to elaborate.

Reliable and rugged

Graze Compact provides years of reliable use under rugged conditions. Graze Compact raises reliability even further with more protection from corrosion by meeting ASTM B117 standard and ANSI C136.31-2010 standard with a 3G vibration rating.

Take a closer look



Innovative optical design

Fully mixed light directly out of the luminaire, allows for smaller setbacks.

Available in 4 lengths

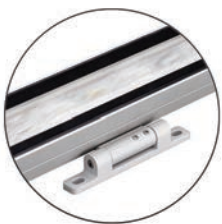
305 mm (1 ft)
610 mm (2 ft)*
314 mm (3 ft)*
1219 mm (4 ft)

Available in 4 standard beam angles

10° x 60°
30° x 60°
60° x 60°

Push-and-click connectors

Easily and rapidly install Leader Cables and Jumper Cables.



Constant torque locking hinge

Simple and consistent position control from various angles.

* 1 and 4 ft lengths are standard for all luminaires. 2, and 3 ft lengths are standard for IntelliHue, and available as custom configurations for RGBW, and RGBA.

A variety of beam angles

Add drama and emphasis—or choose smooth illumination. The choice is yours with Graze Compact.

10° x 60° beam angle

Recommended distance

Up to 6 m (20 ft)

Features

This popular beam angle features exceptional close setbacks of 50 to 152 mm (2 to 6 in) or less with great color mixing and exceptional horizontal spread.

30° x 60° beam angle

Recommended distance

Up to 6 m (20 ft)

Features

The 30° x 60° beam angle features setbacks of 152 to 300 mm (6 to 12 in) or less with great color mixing. Move it closer and the light becomes extremely concentrated.

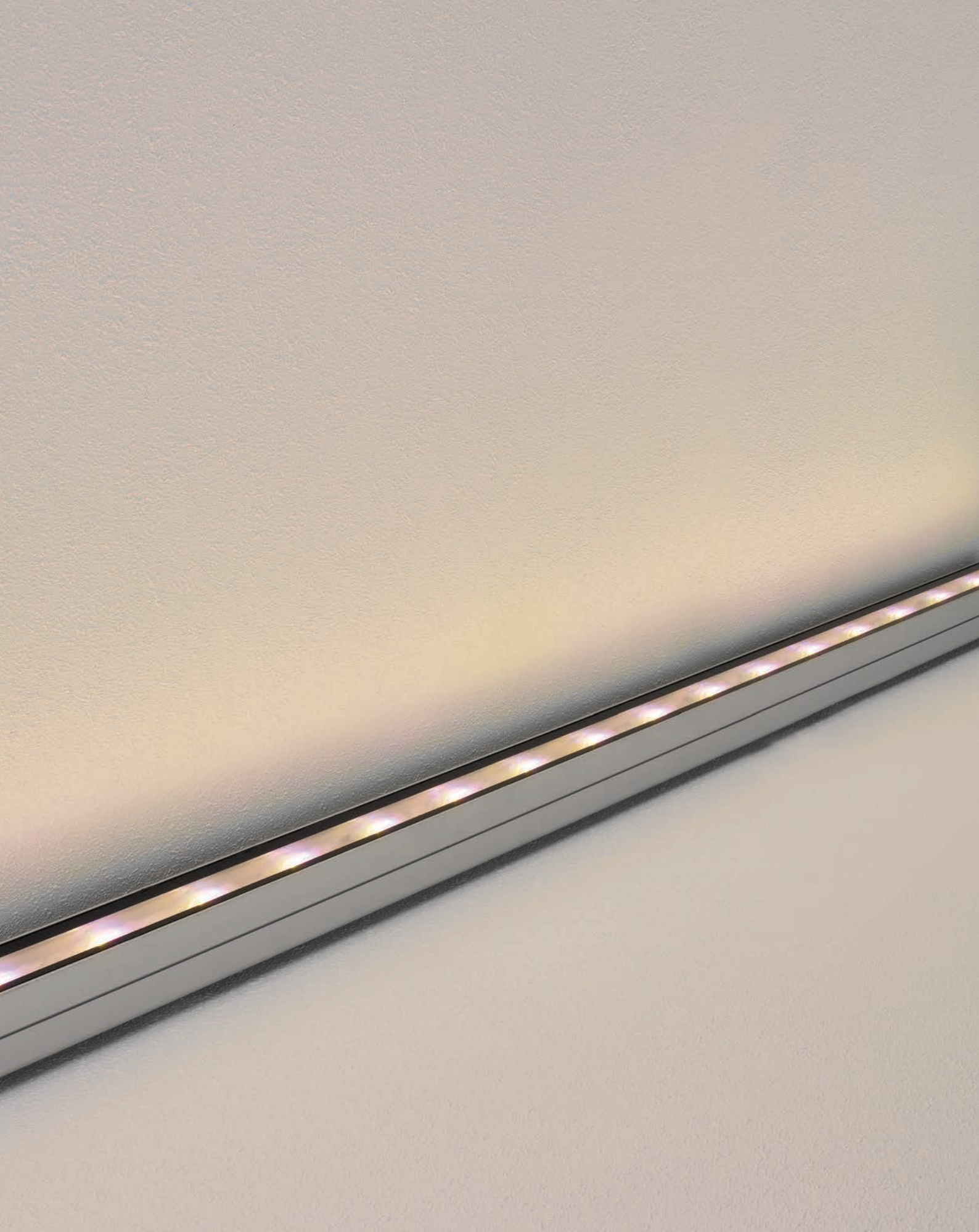
60° x 60° beam angle

Recommended distance

Up to 6 m (20 ft)

Features

The 60° x 60° beam angle features even illumination at its preferred setback of 152 to 300 mm (6 to 12 in) making it perfect for wall washing applications.



Set even closer than 50 mm (2 in), Graze Compact IntelliHue (10° x 60° beam angle, not rotated) shows smooth mixing and terrific illumination.

Exceptional lighting takes more than a luminaire

To unlock the full potential of your Graze luminaires, you need the right components to power and control them.

Controllers

Our broad line of controllers brings you differing capabilities that match your specific needs, the complexity of your project, and your budget. Our controllers offer the industry-standard DMX protocol, or our proprietary, scalable KiNET protocol for Ethernet networks. Because of addressing limitations, DMX is appropriate for relatively simple installations, or for light shows in which multiple Graze luminaires operate in unison.

Because it is not subject to DMX addressing limitations, Ethernet is the preferred environment for intricate color-changing light shows using Graze luminaires. All Graze solutions work seamlessly with our full range of controllers, including Light System Manager, Video System Manager Pro, iPlayer 3, Antumbra iColor Keypad, and ColorDial Pro, as well as third-party DMX controllers.



Power/Data Supplies

We pair each Graze luminaire with the right power/data supply, delivering the power and data needed for your project, ensuring exceptional operation, and maximizing run lengths.

Monitoring and Management

Interact Landmark (formerly Philips ActiveSite) is the first-ever cloud-hosted connected lighting system for architectural LED lighting installations. Interact Landmark allows you to remotely monitor, manage, and maintain an installation site from anywhere in the world, using a secure web connection.

Highlighting architectural features on a multi-story city building



Photography: Jeffrey Totaro, 2016

Graze luminaires are perfect for lighting building facades or window archways. They can be used to highlight the intricate architectural features of a renaissance revival-style façade.

Window frames can be grazed using ColorGraze MX4 RGBW luminaires with a 10°x60° beam angle. Pilasters next to each window can be highlighted with ColorBlast Powercore gen4 RGBW luminaires.

Products	ColorGraze MX4 Powercore, RGBW and ColorBlast Powercore gen4 RGBW
Beam angles	10°x60° and 10°
Details	At the base of each window and at the base of each pilaster

Uplighting a 2-story façade



The aluminium panels are up-lit using two runs of Custom Configuration Amber eColor Graze QLX Powercore.

The entire façade is illuminated from a single, hidden, but accessible position, with the luminaires on a timer so they automatically switch on at sundown and remain on until midnight. One row is located close to the aluminium panels so that it illuminates the bottom portion, while the other, set further back, illuminates the upper section.

Product	Custom Configuration eColor Graze QLX Powercore
Details	End-to-end

Bringing simplicity and elegance to a gas station



Winner of the IALD Award of Excellence + Sustainability, the CEPSA gas station in Adanero, Spain illuminates its semi-transparent canopy with Custom Configuration eColor Graze MX Powercore.

During the day, the canopy appears open and airy when unlit. When illuminated in the evening, the canopy takes on a solid appearance, echoing the gas station's red and white brand colors.

Product	Custom Configuration eColor Graze MX Powercore
Beam angle	10°x60°
Details	End-to-end, highlighting translucent dome

Integrating ColorGraze in a complex lighting plan



Photography: New York Focus

Graze is an versatile linear luminaire that works well with other types of luminaires.

A complex, layered lighting design that uses powerful floodlights to illuminate multiple stories may require fill light to create a consistent lighting plan. Graze is adept at filling any gaps at the base of each tier of the structure, producing seamless, uniform light that works harmoniously with the rest of the luminaires.

Product	ColorGraze MX4 Powercore
Beam angle	10°x60°
Details	End-to-end

Highlighting a well-traveled bridge



Photography: Courtesy of Signify Korea

760 ColorGraze MX Powercore luminaires installed along the base of cable stays on the Busan North Harbor Bridge in Busan, South Korea, highlight the suspension cables with colored light.

The bridge's two pylons are illuminated using 160 ColorReach Powercore gen2 luminaires, installed at the top and the base of the pylons. Finally, 370 ArchiPoint iColor Powercore light points were affixed linearly down the upper section of each pylon, giving the bridge an extra sparkle. The entire installation is controlled with a single Light System Manager Ethernet lighting controller.

Products	ColorGraze QLX Powercore, ColorReach Powercore gen2, and ArchiPoint iColor Powercore
Beam angle	9°x9°
Details	Spaced at the base of each cable stay, illuminating each pylon, and Spaced 2 meters apart

Inspiring an intense emotional experience



Photography: Signify

More than 6,500 ColorGraze MX4 Powercore luminaires deliver brilliant dynamic lighting across the entire outer membrane façade of the Allianz Arena in Munich, Germany.

Product	ColorGraze MX4 Powercore
Beam angle	Various
Details	At the bottom edge of each facade section

Adding emphasis to sandstone and brick architectural features



Photography: Partrick Reynolds Photography Ltd

In the heart of Auckland, New Zealand's main port area, the sandstone and brick facade of the Auckland Ferry Building is an unusual sight.

iW Graze MX Powercore luminaires were chosen to highlight the unique color of the sandstone and emphasize the classical architecture.

Product	iW Graze MX Powercore
Beam angle	30°x60°
Details	Used to graze clocktower facade

Illuminating an icon



Photography: Kaan Verdioglu

The 15 July Martyrs Bridge is no ordinary bridge. Connecting two continents and carrying nearly 200,000 vehicles a day, it is the most famous landmark of Turkey's largest city, Istanbul.

The bridge's signature zigzag steel cables are lined at equal intervals by 305 mm (1 ft) ColorGraze Powercore luminaires, turning the main focal point of the suspension bridge into an eye-catching attraction.

Product	ColorGraze QLX Powercore
Beam angle	9°x9°
Details	Spaced every 3 m(10 ft) along each cable

Specifications and Information

Products	Lengths	Power consumption	Lumens per foot	Efficacy lm/W	CRI
Graze IntelliHue Powercore	305 mm (1 ft) 610 mm (2 ft) 915 mm (3 ft) 1219 mm (4 ft)	18.5 W/ft	687 to 697	38.5 to 38.9	80.7 to 87.7
Graze MX4 Powercore, RGBW	Standard	18.5 W/ft	619 to 655	34.9 to 36.3	–
Graze MX Powercore gen2, eW with Digital Dimming	305 mm (1 ft) 1219 mm (4 ft)	20.2 to 20.9 W/ft	880 to 1,063	43.0 to 51.9	81.1 to 84.1
Graze MX Powercore, eW	Custom	15 W/ft	970 to 1,088	66.4 to 73.7	81 to 82
Graze QLX Powercore, eW	610 mm (2 ft) 915 mm (3 ft)	10 W/ft	663 to 727	69.6 to 74.1	81 to 82

General information

Beam Angles	9° x 9°, 10° x 60°, 15° x 30°, 30° x 60°, 60° x 30°
LED Channels	IntelliHue—Red/Green/Blue/Mint White RGBW—Red/Green/Blue/White eW—3000 and 4000 K.
Input Voltage	100 to 277, auto-ranging, 50/60 Hz
Housing Material	Extruded anodized aluminium
Lens	UV-Protected Clear Lens
Vibration Resistance	305 mm (1 ft) and 610 mm (2 ft) complies with ANSI C136.31, 3G. Special orders are available for 915 mm (3 ft) and 1219 mm (4 ft) that comply with the ANSI C136.31, 3G standard. Please contact your Color Kinetics Lighting Sales rep for custom configurations.
Mechanical Impact	IK10
Corrosion Resistance	Not suitable for salt spray or harsh chemical environments.
Approbations	UL/cUL, FCC Class A, CE, PSE, CQC, C-Tick (CQC for ColorGraze MX4 and IntelliHue only)
Environment	Dry/Damp/Wet Location, IP66
Weight	305 mm (1 ft)—1 kg (2.1 lb) 610 mm (2 ft)—2.1 kg (4.6 lb) 915 mm (3 ft)—3.2 kg (7.1 lb) 1219 mm (4 ft)—4.2 kg (9.3 lb)
Dimensions	305 mm (1 ft)—68 x 305 x 72 mm (2.7 x 12 x 2.85 in) 610 mm (2 ft)—68 x 610 x 72 mm (2.7 x 24 x 2.85 in) 915 mm (3 ft)—68 x 915 x 72 mm (2.7 x 36 x 2.85 in) 1219 mm (4 ft)—68 x 1219 x 72 mm (2.7 x 48 x 2.85 in)

For further information

Complete details of every family, including part numbers, installation instructions, specification sheets, .ies files, and product drawings, can be found on the respective product pages.



**Graze IntelliHue
Powercore**



**Graze MX4 Powercore,
RGBW**



**Graze MX Powercore
gen2, eW with Digital
Dimming**

**eW Graze MX
Powercore**

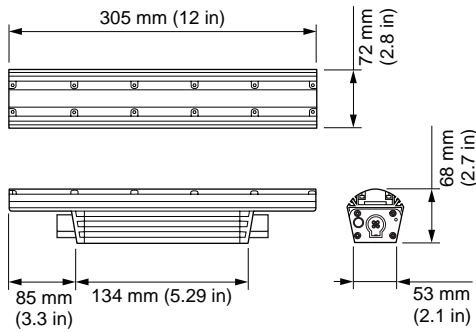
**eW Graze QLX
Powercore**

Don't see what you want?

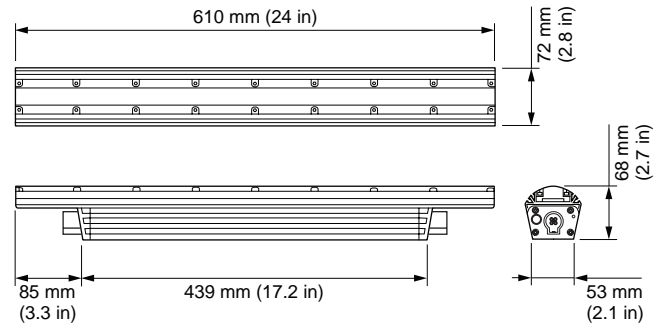
In addition to the standard Graze luminaires numerous custom configurations are available. These include 1, 2, 3, and 4 ft. housing lengths in select RAL colors, single color LEDs, single white CCTs, and custom LED mixes including RGBA, numerous internal diffusers, and 3 and 4 ft. lengths that meet ANSI C136.31, 3G. Please contact your [Color Kinetics Lighting sales rep.](#) for more information.

Dimensions

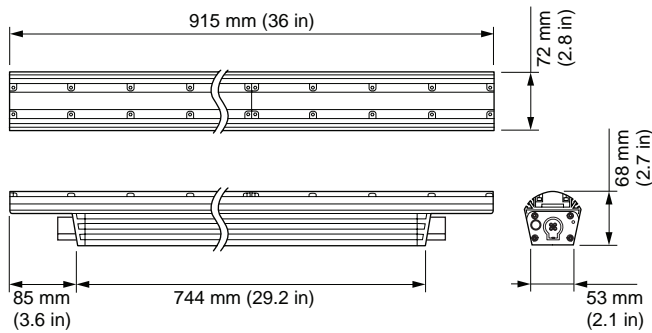
305 mm (1 ft)



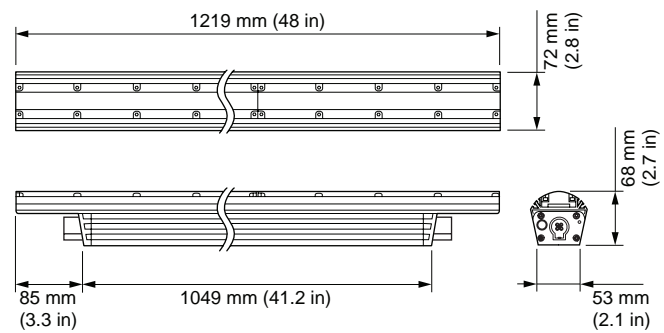
610 mm (2 ft)



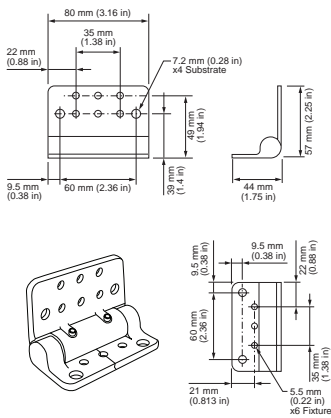
914 mm (3 ft)



1219 mm (4 ft)



Hinge



Configuration and planning

Regardless of the size and complexity of your installation, the planning time you spend up front can help streamline the installation and configuration of your luminaires. Keep these points in mind as you plan your installation:

Configuration Calculator

Create a lighting design plan that identifies and locates all luminaires, Data Enabler Pro devices, and controllers. Use **Configuration Calculator** to determine how many luminaires you can install in a single run, and the maximum distances between Data Enabler Pro devices, luminaires, and controllers.

QuickPlay Pro 2

Graze luminaires operate in 8-bit mode by default. To address luminaires, including switching between 8-bit mode and 16-bit mode, download **QuickPlay Pro 2**.

Accessories

	Item Number	12NC
4 Conductor Leader Cable, For use with iW/ColorGraze Powercore, 100 to 277 VAC, 15.2 m (50 ft), UL	108-000055-00	910503703137
4 Conductor Leader Cable, For use with iW/ColorGraze Powercore, 100 to 277 VAC, 15.2 m (50 ft), CE/PSE	108-000055-01	910503704064
4 Conductor Leader Cable, For use with iW/ColorGraze Powercore, 100 to 277 VAC, 3 m (10 ft), UL	108-000055-03	910503704066
4 Conductor Leader Cable, For use with iW/ColorGraze Powercore, 100 to 277 VAC, 3 m (10 ft), Black, CE/PSE	108-000055-04	910503704067
4 Conductor Leader Cable, For use with iW/ColorGraze Powercore, 15 m (50 ft), Black, CE	108-000055-06	910503705064
4 Conductor Leader Cable, For use with iW/ColorGraze Powercore, 3 m (10 ft), Black, CE/PSE	108-000055-07	910503705065
4 Conductor Leader Cable, For use with iW/ColorGraze Powercore luminaires, 1.52 m (5 ft), UL, for Inground Enclosure	108-000055-09	912400134321
4 Conductor Leader Cable, For use with iW/ColorGraze Powercore luminaires, 1.52 m (5 ft), CE, for Inground Enclosure	108-000055-10	912400134322
4 Conductor Leader Cable, For use with iW/ColorGraze Powercore, 100 to 277 VAC, 3 m (10 ft), BIS	108-000055-13	912400137373
4 Conductor Jumper Cable, For use with iW/ColorGraze Powercore, End-to-End, Black, UL/cUL	108-000057-00	910503703139
4 Conductor Jumper Cable, For use with Graze MX/QLX/EC luminaires, End-to-End, Black, CE/PSE	108-000057-01	910503704074
4 Conductor Jumper Cable, For use with Graze MX/QLX/EC luminaires, 305 mm (1 ft), Black, UL/cUL	108-000057-03	910503704076
4 Conductor Jumper Cable, For use with Graze MX/QLX/EC luminaires, 305 mm (1 ft), Black, CE/PSE	108-000057-04	910503704077
4 Conductor Jumper Cable, For use with Graze MX/QLX/EC luminaires, 1.5 m (5 ft), Black, UL/cUL	108-000057-06	910503704079
4 Conductor Jumper Cable, For use with Graze MX/QLX/EC luminaires, 1.5 m (5 ft), Black, CE/PSE	108-000057-07	910503704080
4 Conductor Jumper Cable, For use with Graze MX/QLX/EC luminaires, End-to-End, Black, BIS	108-000057-18	912400137377
4 Conductor Jumper Cable, For use with Graze MX/QLX/EC luminaires, 1.5 m (5 ft), Black, BIS	108-000057-19	912400137378
Graze Glare Shield, 305 mm (1 ft)	120-000081-00	910503700745
Graze Glare Shield, 1220 mm (4 ft)	120-000081-03	910503700748
Graze Powercore Inground Enclosure, Inner Box for 305 mm (12 in) luminaire	120-000190-00	912400133684
Graze Powercore Inground Enclosure, Outer Box for 305 mm (12 in) luminaire	120-000190-01	912400133685
Graze Powercore Inground Enclosure, Inner Box for 1219 mm (48 in) luminaire	120-000190-06	912400133690
Graze Powercore Inground Enclosure, Outer Box for 1219 mm (48 in) luminaire	120-000190-07	912400133691
Graze Louver, MX/MX4, 305 mm (1 ft), Black	120-000202-00	912400135849
Graze Louver, MX/MX4, 1219 mm (48 in), Black	120-000202-03	912400135852
Graze Louver, QLX, 305 mm (1 ft), Black	120-000202-04	912400135853
Graze Louver, QLX, 1219 mm (48 in), Black	120-000202-07	912400135856
Graze Masking Shield, 305 mm (1 ft), Grey	120-000203-00	912400135857
Graze Masking Shield, 1219 mm (48 in), Grey	120-000203-03	912400135860
Architectural Mounting Arm, for use with Blast, Graze, Graze Compact, Burst Architectural, & Vaya Flood. Short, gray	120-000206-00	912400136642
Architectural Mounting Arm, for use with Blast, Graze, Graze Compact, Burst Architectural, & Vaya Flood. Medium, gray	120-000206-01	912400136643
Architectural Mounting Arm, for use with Blast, Graze, Graze Compact, Burst Architectural, & Vaya Flood. Long, gray	120-000206-02	912400136644
Power/Data Supplies		
Data Enabler Pro, 3/4 in / 1/2 in NPT (U.S. trade size conduit)	106-000004-00	910503701210
Data Enabler Pro, PG21/PG13 (metric size conduit)	106-000004-01	910503701211

Specifications and Information

Products	Lengths	Power consumption	Lumens per foot	Efficacy lm/W	CRI
Graze Compact Powercore gen2, IntelliHue	305 mm (1 ft) 610 mm (2 ft) 915 mm (3 ft) 1219 mm (4 ft)	4.2 W - 1 ft, 17 W - 4 ft (Low Power) 8.2 W - 1ft, 33 W - 4 ft (High Power)	184 to 518	55 to 61	90
Graze Compact Powercore gen2, RGBW	Standard 305 mm (1 ft) 1219 mm (4 ft)		212 to 570	51 to 67	-
Graze Compact Powercore gen2, RGBA	Custom 610 mm (2 ft) 915 mm (3 ft)		213 to 555	52 to 67	-

General information

Beam Angles	10° x 60°, 30° x 60°, 60° x 60°
LED Channels	IntelliHue—Red/Green/Blue/Mint White RGBW—Red/Green/Blue/White RGBA—Red/Green/Blue/Amber
Input Voltage	100 to 277 VAC, auto-ranging, 50/60 Hz
Housing Material	Extruded anodized aluminium
Lens	Glass
Vibration Resistance	Complies with ANSI C136.31, 3G
Mechanical Impact	IK07
Corrosion Resistance	Complies with ASTM B117 standard with special order.
Approbations	UL/cUL, FCC Class A, PSE, CE, CQC, RCM, EAC, BIS, UA
Environment	Dry/Damp/Wet Location, IP66
Weight	305 mm (1 ft)—0.68 kg (1.5 lb) 610 mm (2 ft)—0.9 kg (1.98 lb) 915 mm (3 ft)—1.03 kg (2.27 lb) 1219 mm (4 ft)—2 kg (4.41 lb)
Dimensions	305 mm (1 ft)— 45.05 x 306.3 x 42.2 mm (1.77 x 12.06 x 1.66 in) 610 mm (2 ft)— 45.05 x 611.1 x 42.2 mm (1.77 x 24.06 x 1.66 in) 915 mm (3 ft)—45.05 x 915.9 x 42.2 mm (1.77 x 36.06 x 1.66 in) 1219 mm (4 ft)— 45.05 x 1220.65 x 42.2 mm (1.77 x 48.06 x 1.66 in)

For further information

Complete details of every family, including part numbers, installation instructions, specification sheets, .ies files, and product drawings, can be found on the respective product pages.



Graze Compact Powercore gen2, IntelliHue

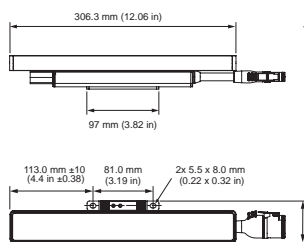


Graze Compact Powercore gen2, RGBW

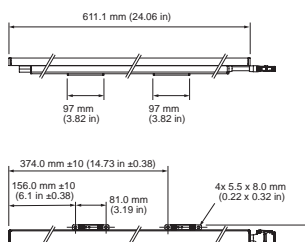


Graze Compact Powercore gen2, RGBA

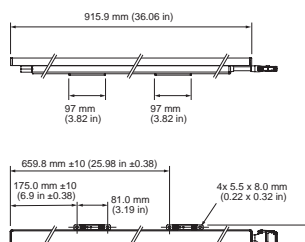
305 mm (1 ft)



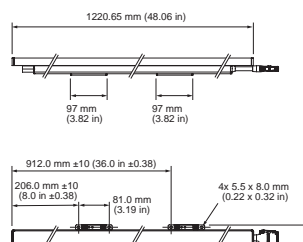
610 mm (2 ft)



915 mm (3 ft)



1219 mm (4 ft)



Configuration and planning

Regardless of the size and complexity of your installation, the planning time you spend up front can help streamline the installation and configuration of your luminaires. Keep these points in mind as you plan your installation:

Configuration Calculator

Create a lighting design plan that identifies and locates all luminaires, Data Enabler Pro devices, and controllers. Use **Configuration Calculator** to determine how many luminaires you can install in a single run, and the maximum distances between Data Enabler Pro devices, luminaires, and controllers.

QuickPlay Pro 2

Graze Compact luminaires operate in 8-bit mode by default. To address luminaires, including switching between 8-bit mode and 16-bit mode, download **QuickPlay Pro 2**.

Accessories

Item Number		Item Number	12NC
4 Conductor Jumper Cable, For use with Graze Compact, 305 mm (1 ft), Black, UL		108-000073-00	912400136930
4 Conductor Jumper Cable, For use with Graze Compact, 305 mm (1 ft), Black, CE/CQC		108-000073-01	912400136931
4 Conductor Jumper Cable, For use with Graze Compact, 1.5 m (5 ft), Black, UL		108-000073-02	912400136932
4 Conductor Jumper Cable, For use with Graze Compact, 1.5 m (5 ft), Black, CE/CQC		108-000073-03	912400136933
4 Conductor Leader Cable, For use with Graze Compact, 3 m (10 ft), Black, UL		108-000074-00	912400136940
4 Conductor Leader Cable, For use with Graze Compact, 3 m (10 ft), Black, CE/CQC		108-000074-01	912400136941
Architectural Mounting Arm, for use with Blast, Graze, Graze Compact, Burst Architectural, and Vaya Flood. Short, gray		120-000206-00	912400136642
Architectural Mounting Arm, for use with Blast, Graze, Graze Compact, Burst Architectural, and Vaya Flood. Medium, gray		120-000206-01	912400136643
Architectural Mounting Arm, for use with Blast, Graze, Graze Compact, Burst Architectural, and Vaya Flood. Long, gray		120-000206-02	912400136644
Graze Compact Symmetric Louver, 305 mm, 1 ft		120-000207-00	912400136648
Graze Compact Symmetric Louver, 1219 mm, 4 ft		120-000207-03	912400136651
Graze Compact Masking Tray, 305 mm, 1 ft		120-000209-00	912400136656
Graze Compact Masking Tray, 1219 mm, 4 ft		120-000209-03	912400136659
Graze Compact Masking Tray End Plate, (Pair)		120-000209-04	912400137116
Graze Compact Constant Torque Hinge, (Set of 10)		120-000211-00	912400136664
Graze Compact Tether Anchor, (Set of 10)		120-000211-01	912400136665
Graze Compact Masking Shield, 305 mm, 1 ft		120-000216-01	912400137226
Graze Compact Masking Shield, 1219 mm, 4 ft		120-000216-04	912400137229
Power/Data Supplies			
Data Enabler Pro, 3/4 in / 1/2 in NPT (U.S. trade size conduit)		106-000004-00	910503701210
Data Enabler Pro, PG21/PG13 (metric size conduit)		106-000004-01	910503701211

Don't see what you want?

In addition to the standard Graze luminaires numerous custom configurations are available. These include 1, 2, 3, and 4 ft. housing lengths, two power consumption options, single color LEDs, single white CCTs, and custom LED mixes. Please contact your [Color Kinetics Lighting sales rep.](#) for more information.

© 2024 Signify Holding. All rights reserved. The information provided herein is subject to change, without notice. Signify does not give any representation or warranty as to the accuracy or completeness of the information included herein and shall not be liable for any action in reliance thereon. The information presented in this document is not intended as any commercial offer and does not form part of any quotation or contract, unless otherwise agreed by Signify.

All trademarks are owned by Signify Holding or their respective owners.

Cover photography credits: Courtesy of Signify



www.colorkinetics.com