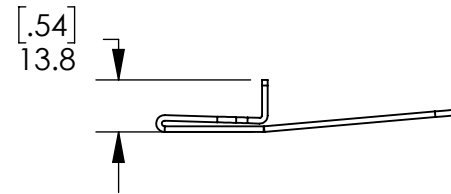
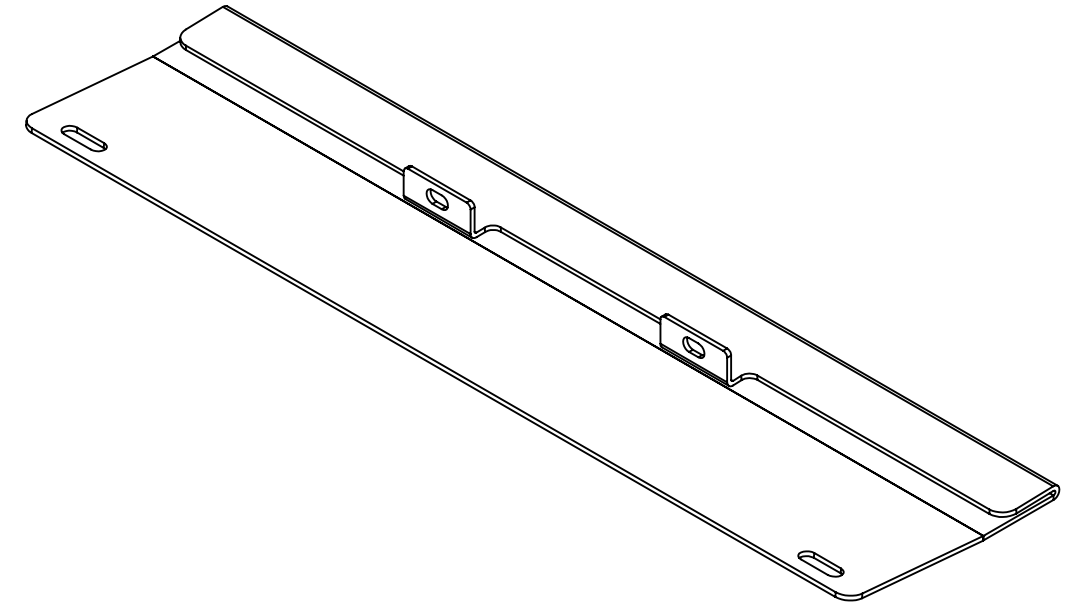
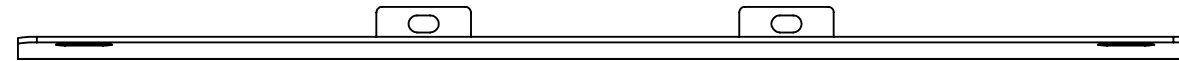
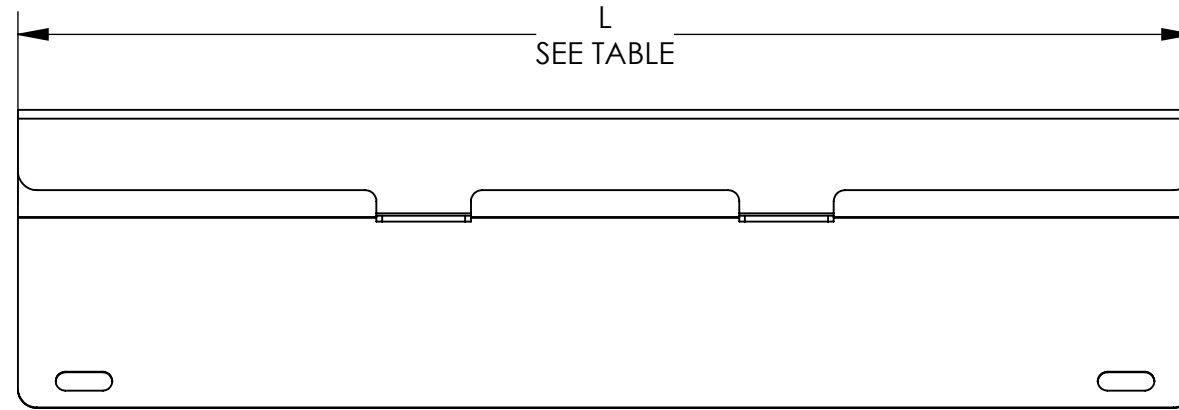


REVISIONS					
ZONE	REV.	ECO	DESCRIPTION	DATE	APPROVED
	A		INITIAL RELEASE	03/16/2021	KP



PART NUMBER	SIZE	LENGTH (L)
912400137226	1FT	310.7 [12.23]
912400137227	2FT	615.5 [24.23]
912400137228	3FT	920.3 [36.23]
912400137229	4FT	1225.1 [48.23]

ACCESSORY, GRAZE COMPACT, MASKING SHIELD

PROPRIETARY AND CONFIDENTIAL
 THE INFORMATION CONTAINED IN THIS DRAWING IS THE SOLE PROPERTY OF COLOR KINETICS, INC. ANY REPRODUCTION IN PART OR AS A WHOLE WITHOUT THE WRITTEN PERMISSION OF COLOR KINETICS, INC. IS PROHIBITED.

COLOR KINETICS
 www.colorkinetics.com
 3 Burlington Woods Dr. Burlington MA 01803 USA
 Tel: 888-385-5742 Fax: 617-338-0454

ORIGINAL PART ID (IF APPLICABLE)

DRAWN _____ DATE _____
 CHECKED _____ DATE _____

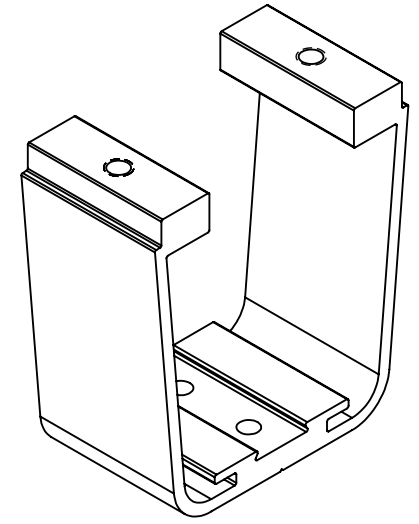
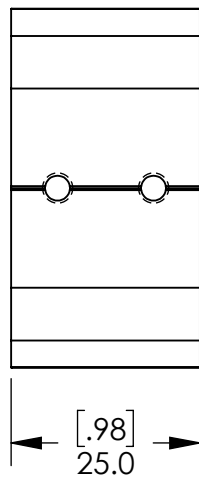
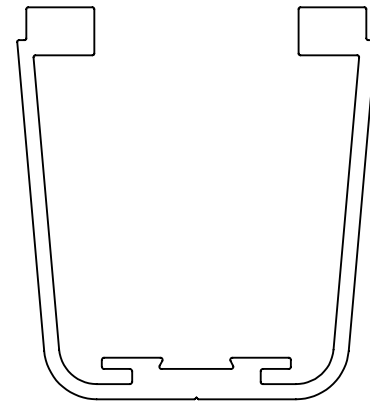
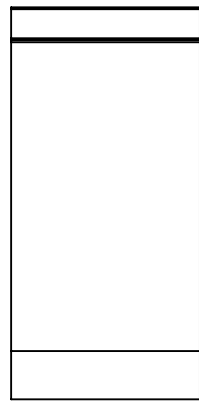
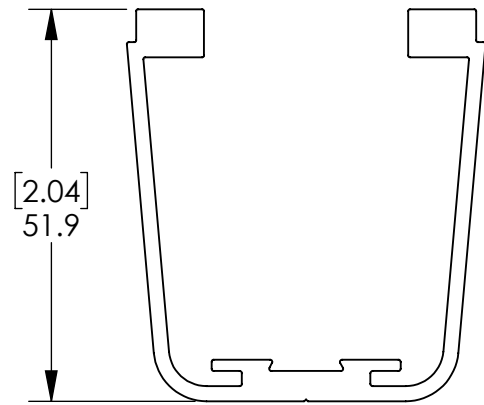
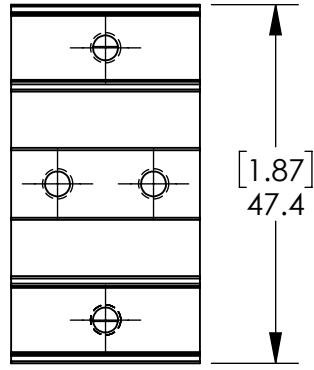
- UNLESS OTHERWISE SPECIFIED -
 DIMENSIONS ARE IN MILLIMETERS
 TOLERANCES: N/A
 INTERPRET GEOMETRIC TOLERANCING PER: ANSI Y14.5M
 THIRD ANGLE PROJECTION

DESCRIPTION
PRODUCT DOCUMENT DRAWING, GRAZE COMPACT, ACCESSORIES

SIZE **B** DWG. NO. **442295216700_510** REV **A**
 FILE NAME _____ DO NOT SCALE DWG
 SCALE **1:2** SHEET **1** OF **16**

PROPRIETARY AND CONFIDENTIAL

THE INFORMATION CONTAINED IN THIS DRAWING IS THE SOLE PROPERTY OF COLOR KINETICS, INC. ANY REPRODUCTION IN PART OR AS A WHOLE WITHOUT THE WRITTEN PERMISSION OF COLOR KINETICS, INC. IS PROHIBITED.



ACCESSORY, GRAZE COMPACT, MOUNTING BRACKET



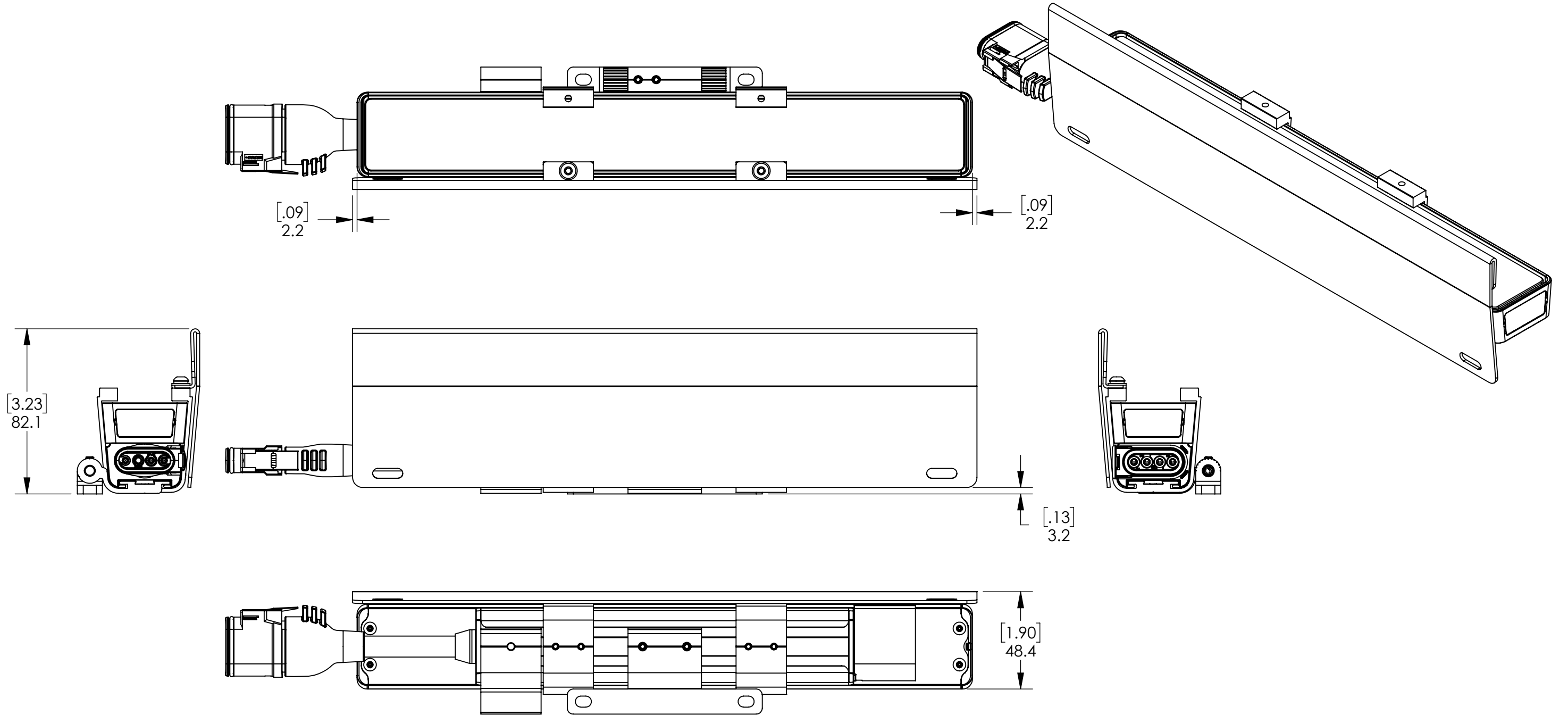
DESCRIPTION
PRODUCT DOCUMENT DRAWING,
GRAZE COMPACT, ACCESSORIES

SIZE	DWG. NO.	REV
B	442295216700_510	A

FILE NAME DO NOT SCALE DWG SCALE 1:1 SHEET 2 OF 16

PROPRIETARY AND CONFIDENTIAL

THE INFORMATION CONTAINED IN THIS DRAWING IS THE SOLE PROPERTY OF COLOR KINETICS, INC. ANY REPRODUCTION IN PART OR AS A WHOLE WITHOUT THE WRITTEN PERMISSION OF COLOR KINETICS, INC. IS PROHIBITED.



ACCESSORY, GRAZE COMPACT, WITH MASKING SHIELD



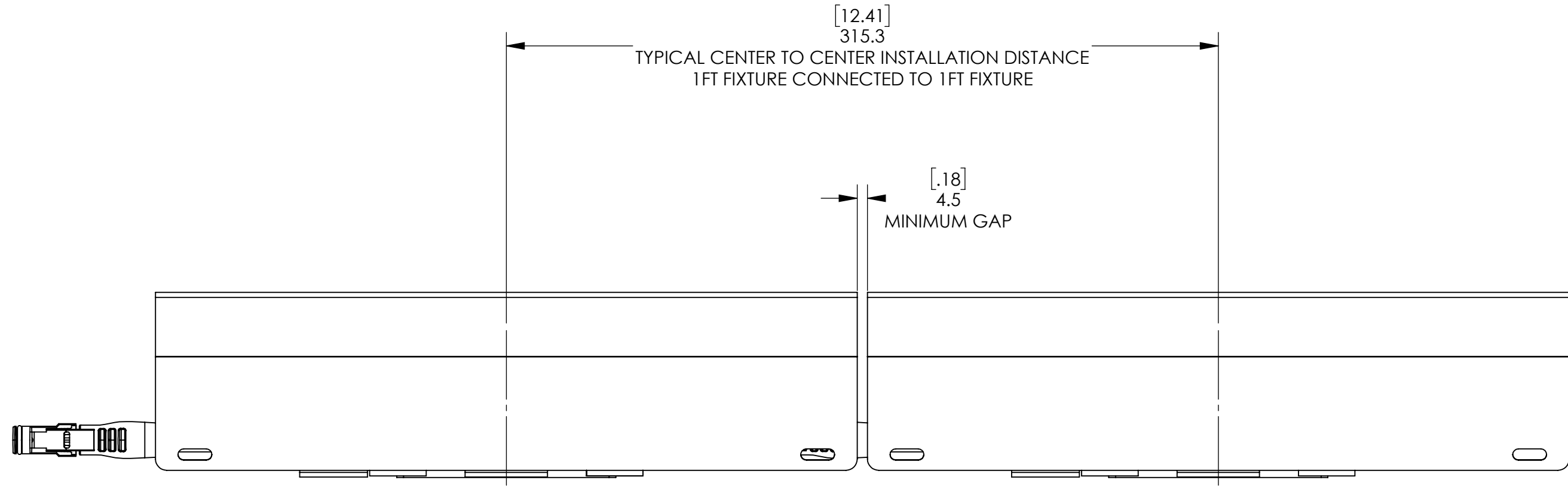
DESCRIPTION
PRODUCT DOCUMENT DRAWING,
GRAZE COMPACT, ACCESSORIES

SIZE	DWG. NO.	REV
B	442295216700_510	A

FILE NAME DO NOT SCALE DWG SCALE 1:2 SHEET 3 OF 16

PROPRIETARY AND CONFIDENTIAL

THE INFORMATION CONTAINED IN THIS DRAWING IS THE SOLE PROPERTY OF COLOR KINETICS, INC. ANY REPRODUCTION IN PART OR AS A WHOLE WITHOUT THE WRITTEN PERMISSION OF COLOR KINETICS, INC. IS PROHIBITED.



ACCESSORY, GRAZE COMPACT, WITH MASKING SHIELD CONNECTED END TO END



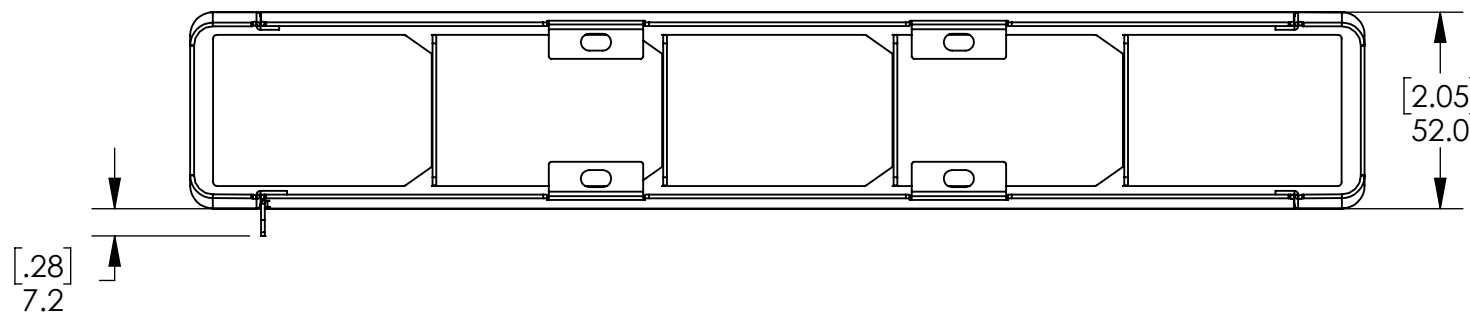
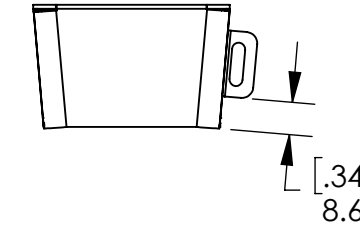
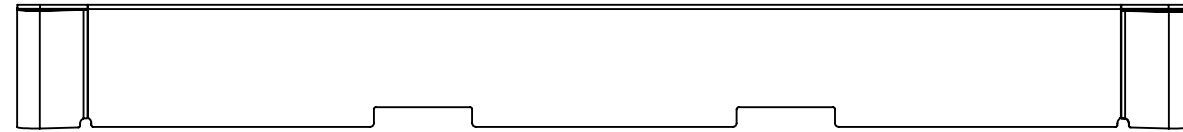
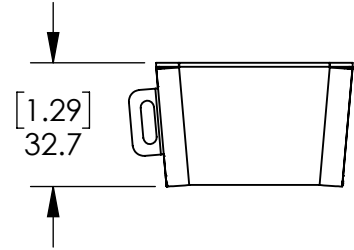
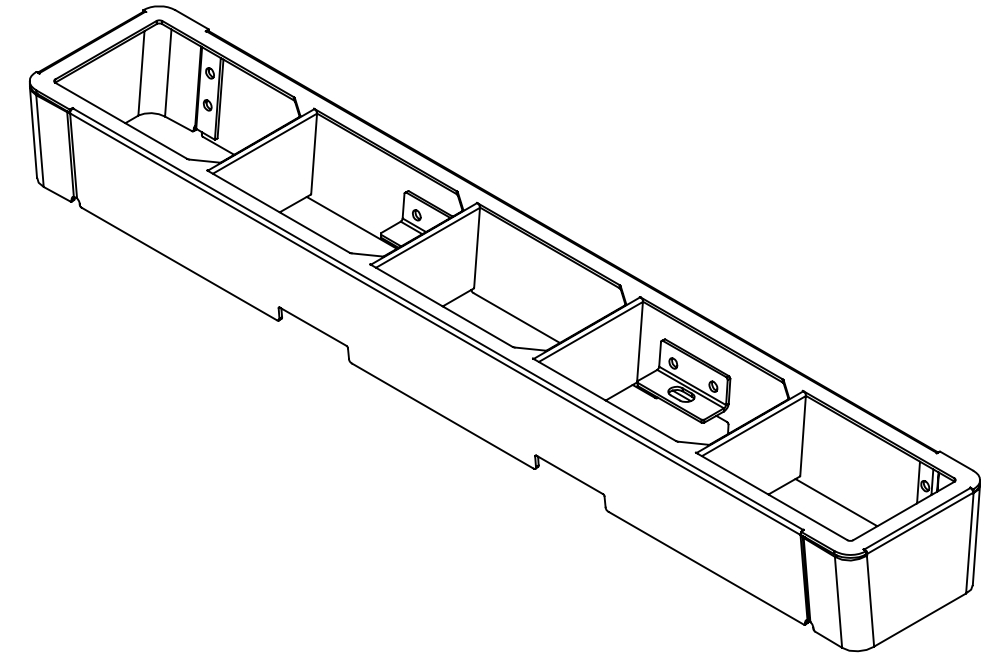
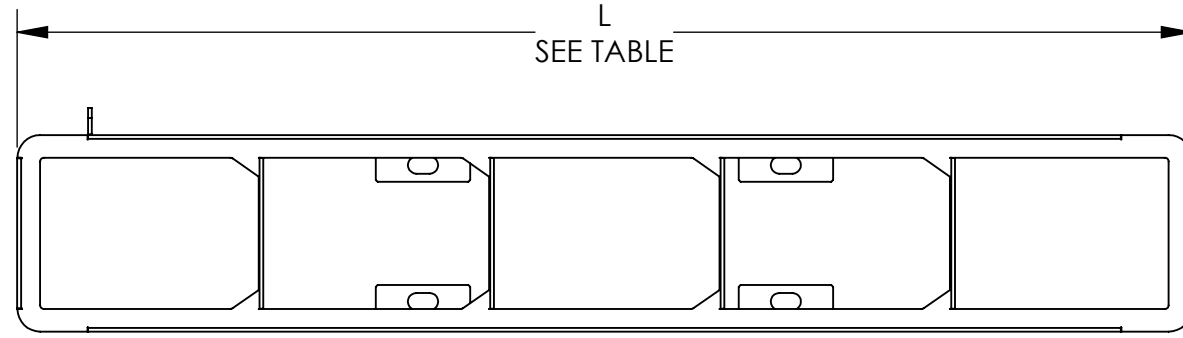
DESCRIPTION
**PRODUCT DOCUMENT DRAWING,
GRAZE COMPACT, ACCESSORIES**

SIZE	DWG. NO.	REV
B	442295216700_510	A

FILE NAME: DO NOT SCALE DWG
SCALE 1:2 SHEET 4 OF 16

PROPRIETARY AND CONFIDENTIAL

THE INFORMATION CONTAINED IN THIS DRAWING IS THE SOLE PROPERTY OF COLOR KINETICS, INC. ANY REPRODUCTION IN PART OR AS A WHOLE WITHOUT THE WRITTEN PERMISSION OF COLOR KINETICS, INC. IS PROHIBITED.



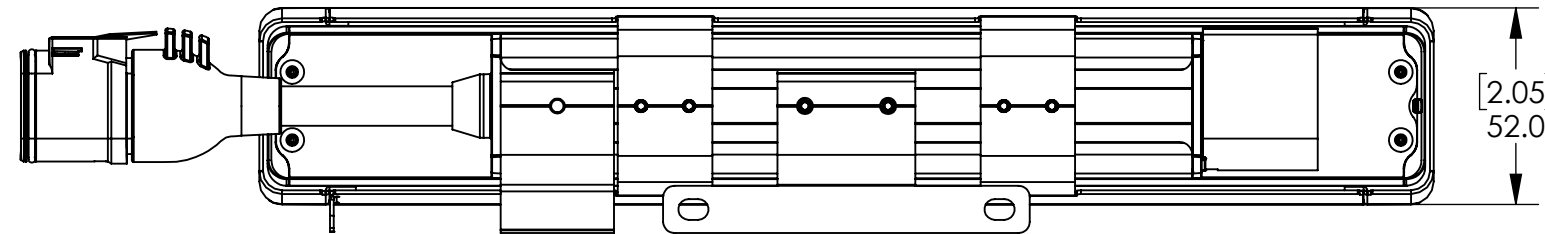
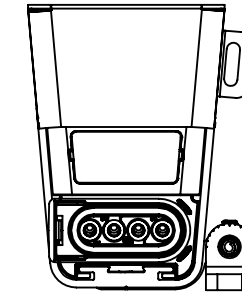
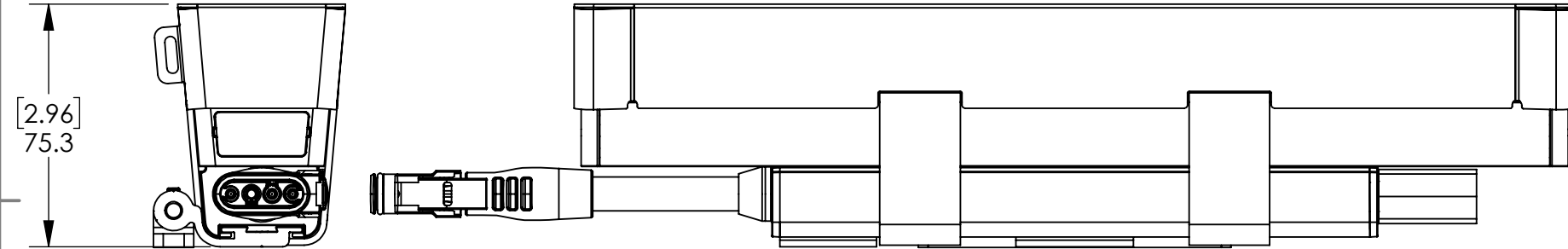
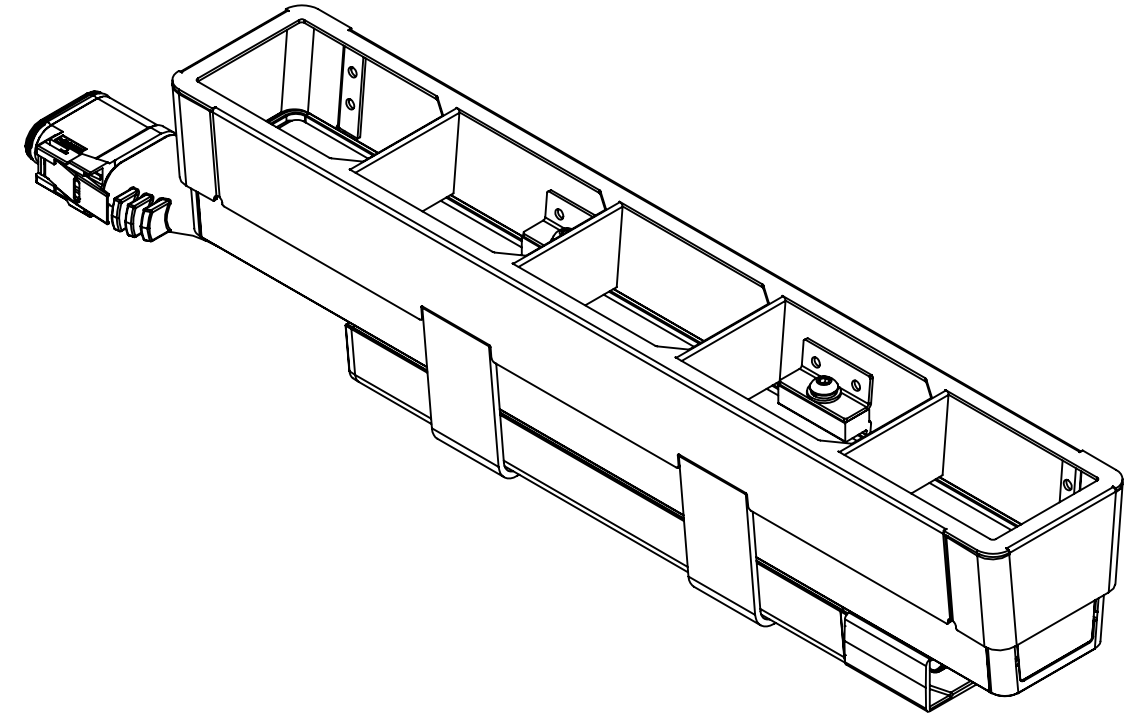
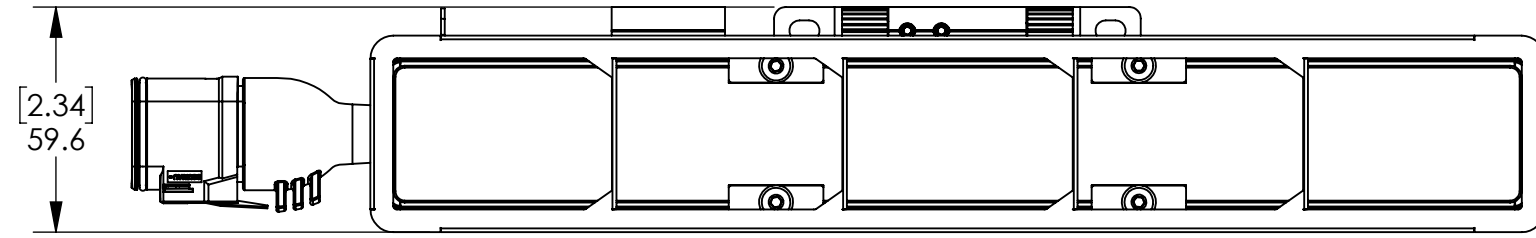
ACCESSORY, GRAZE COMPACT, LOUVER

PART NUMBER	SIZE	LENGTH (L)
912400136648	1FT	310.7 [12.23]
912400136649	2FT	615.5 [24.23]
912400136650	3FT	920.3 [36.23]
912400136651	4FT	1225.1 [48.23]

	DESCRIPTION PRODUCT DOCUMENT DRAWING, GRAZE COMPACT, ACCESSORIES	SIZE	DWG. NO.	REV
		B	442295216700_510	A
FILE NAME DO NOT SCALE DWG		SCALE 1:2	SHEET 5 OF 16	

PROPRIETARY AND CONFIDENTIAL

THE INFORMATION CONTAINED IN THIS DRAWING IS THE SOLE PROPERTY OF COLOR KINETICS, INC. ANY REPRODUCTION IN PART OR AS A WHOLE WITHOUT THE WRITTEN PERMISSION OF COLOR KINETICS, INC. IS PROHIBITED.



ACCESSORY, GRAZE COMPACT, WITH LOUVER



DESCRIPTION
PRODUCT DOCUMENT DRAWING,
GRAZE COMPACT, ACCESSORIES

SIZE	DWG. NO.	REV
B	442295216700_510	A

FILE NAME DO NOT SCALE DWG SCALE 1:2 SHEET 6 OF 16

8

7

6

5

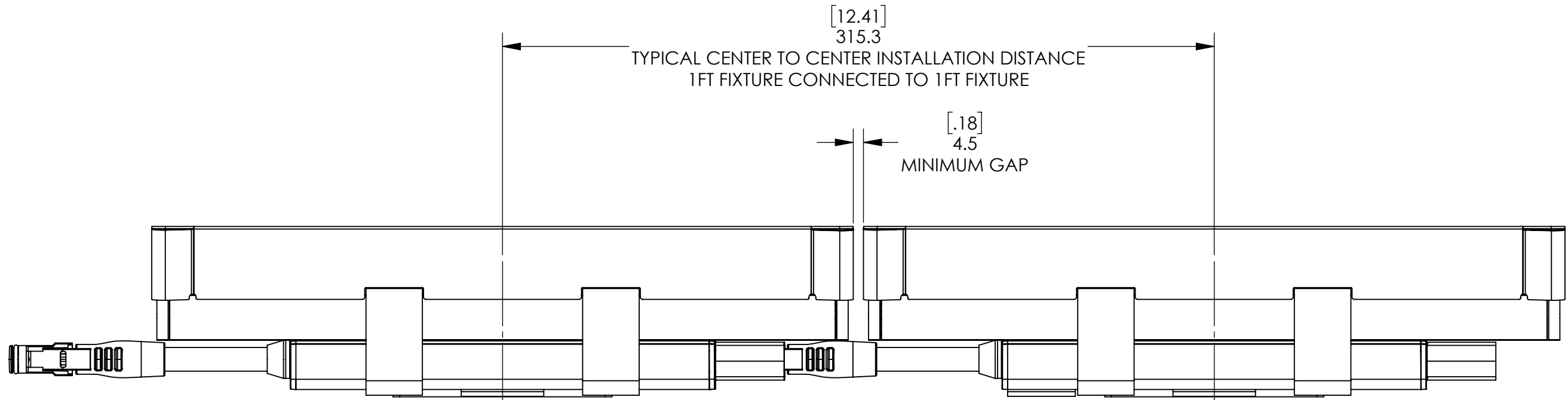
4

3

2

1

PROPRIETARY AND CONFIDENTIAL
THE INFORMATION CONTAINED IN THIS DRAWING IS THE SOLE PROPERTY OF COLOR KINETICS, INC. ANY REPRODUCTION IN PART OR AS A WHOLE WITHOUT THE WRITTEN PERMISSION OF COLOR KINETICS, INC. IS PROHIBITED.



TYPICAL CENTER TO CENTER INSTALLATION DISTANCE
1FT FIXTURE CONNECTED TO 1FT FIXTURE

[12.41]
315.3

[.18]
4.5
MINIMUM GAP

ACCESSORY, GRAZE COMPACT, WITH LOUVER CONNECTED END TO END



DESCRIPTION
**PRODUCT DOCUMENT DRAWING,
GRAZE COMPACT, ACCESSORIES**

SIZE	DWG. NO.	REV
B	442295216700_510	A

DO NOT SCALE DWG
SCALE 1:2 SHEET 7 OF 16

8

7

6

5

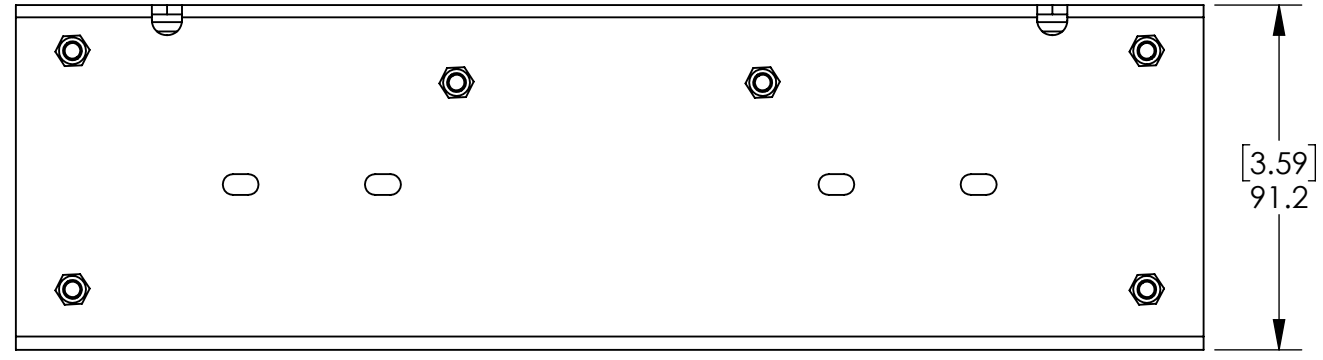
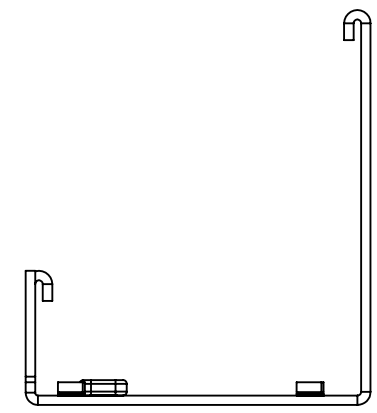
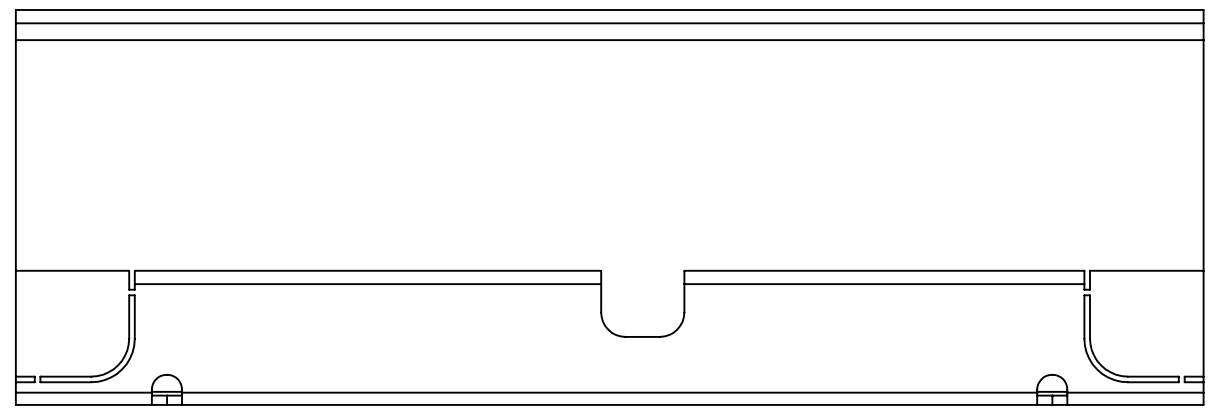
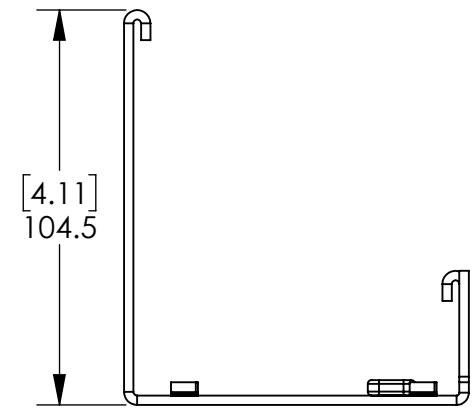
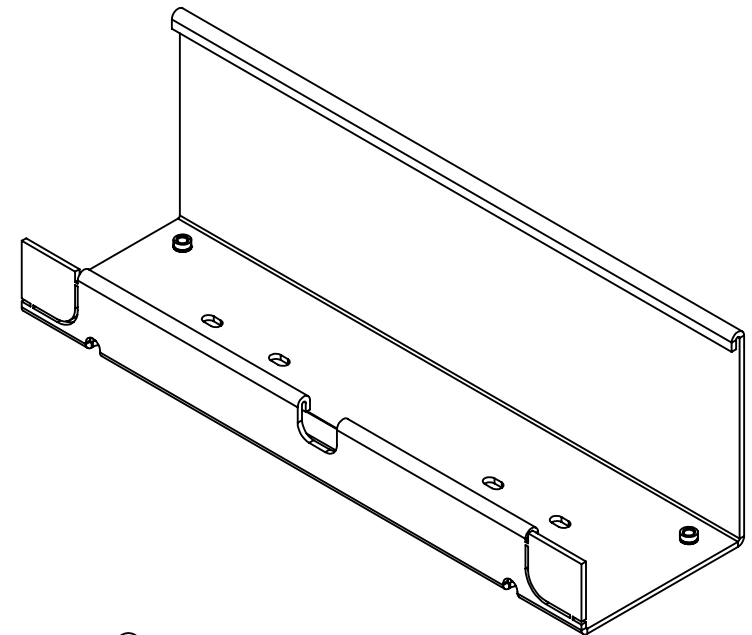
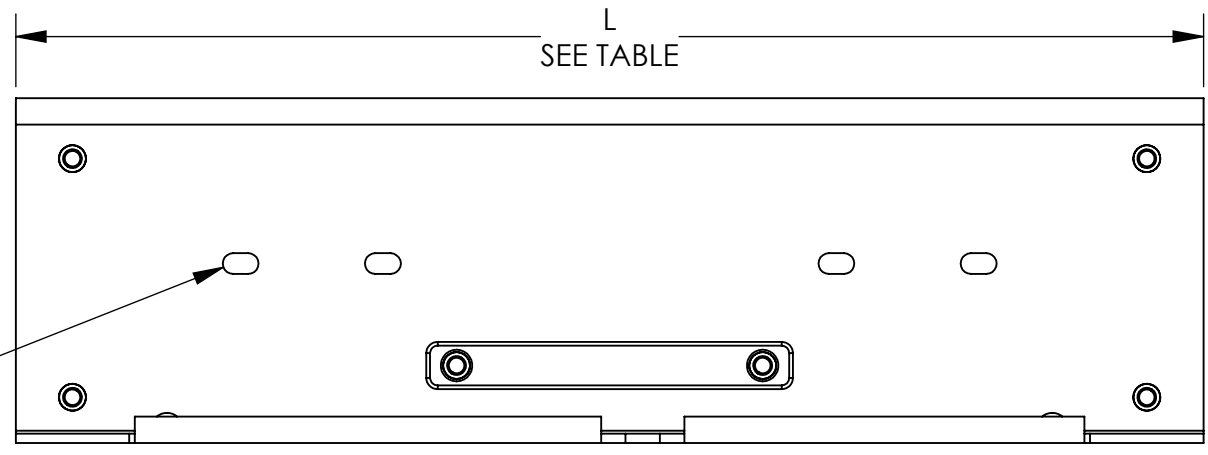
4

3

2

1

PROPRIETARY AND CONFIDENTIAL
 THE INFORMATION CONTAINED IN THIS DRAWING IS THE SOLE PROPERTY OF COLOR KINETICS, INC. ANY REPRODUCTION IN PART OR AS A WHOLE WITHOUT THE WRITTEN PERMISSION OF COLOR KINETICS, INC. IS PROHIBITED.



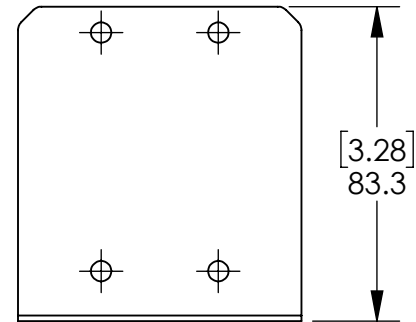
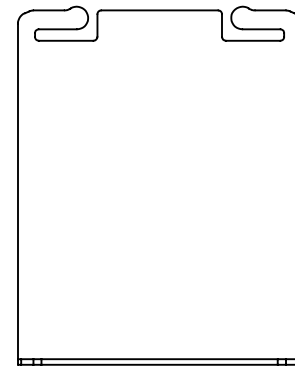
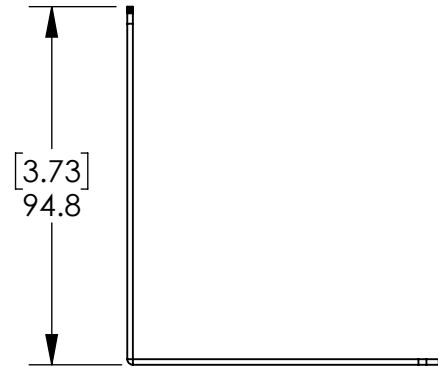
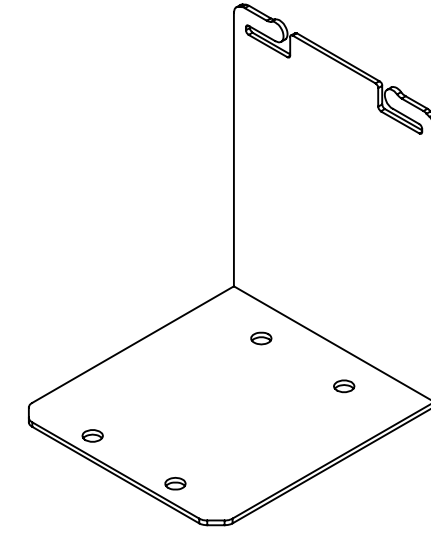
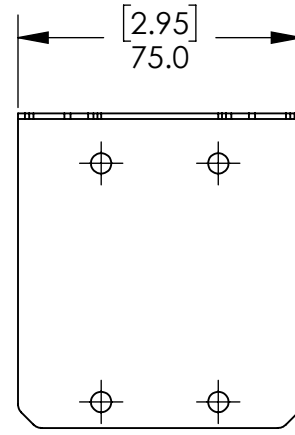
ACCESSORY, GRAZE COMPACT, MASKING TRAY

PART NUMBER	SIZE	LENGTH (L)
912400136656	1FT	314.3 [12.37]
912400136657	2FT	619.1 [24.37]
912400136658	3FT	923.9 [36.37]
912400136659	4FT	1228.7 [48.37]

	DESCRIPTION PRODUCT DOCUMENT DRAWING, GRAZE COMPACT, ACCESSORIES	SIZE	DWG. NO.	REV
		B	442295216700_510	A
<small>FILE NAME</small>		<small>DO NOT SCALE DWG</small> SCALE 1:2		SHEET 8 OF 16

PROPRIETARY AND CONFIDENTIAL

THE INFORMATION CONTAINED IN THIS DRAWING IS THE SOLE PROPERTY OF COLOR KINETICS, INC. ANY REPRODUCTION IN PART OR AS A WHOLE WITHOUT THE WRITTEN PERMISSION OF COLOR KINETICS, INC. IS PROHIBITED.



ACCESSORY, GRAZE COMPACT, MASKING TRAY, JOINER PLATE



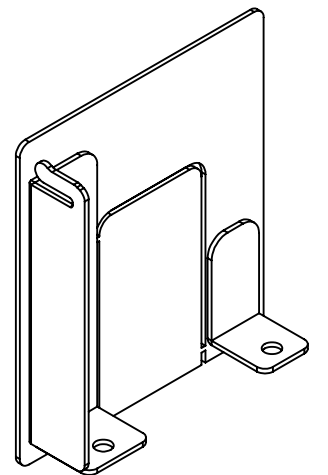
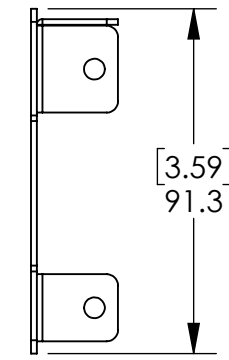
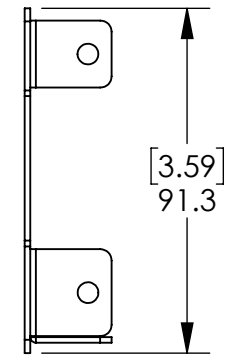
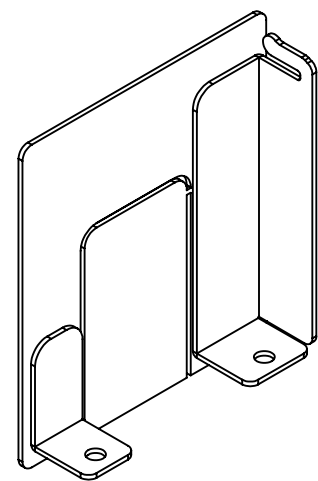
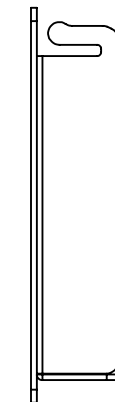
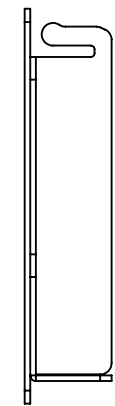
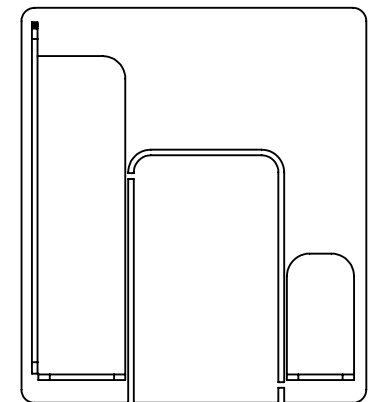
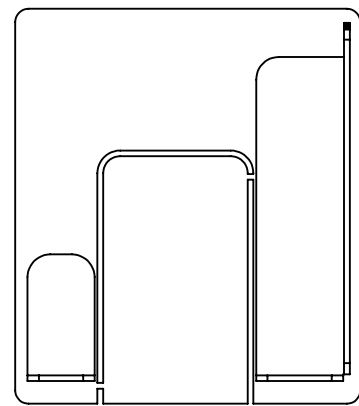
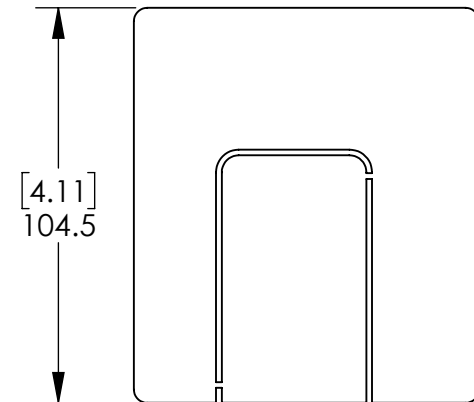
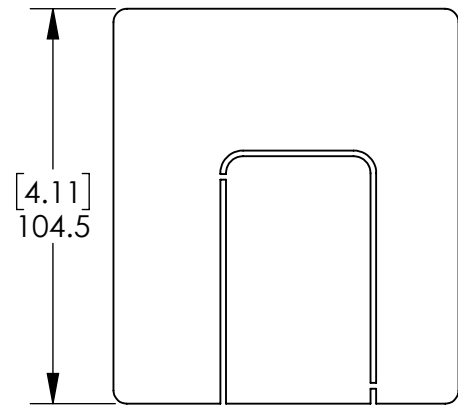
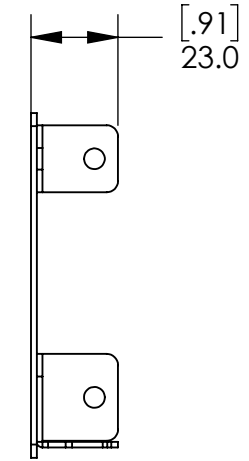
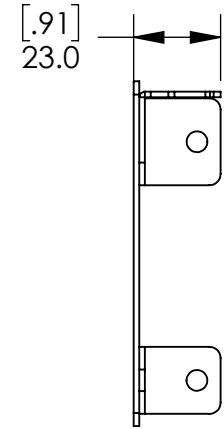
DESCRIPTION
PRODUCT DOCUMENT DRAWING,
GRAZE COMPACT, ACCESSORIES

SIZE	DWG. NO.	REV
B	442295216700_510	A

FILE NAME DO NOT SCALE DWG SCALE 1:2 SHEET 9 OF 16

PROPRIETARY AND CONFIDENTIAL

THE INFORMATION CONTAINED IN THIS DRAWING IS THE SOLE PROPERTY OF COLOR KINETICS, INC. ANY REPRODUCTION IN PART OR AS A WHOLE WITHOUT THE WRITTEN PERMISSION OF COLOR KINETICS, INC. IS PROHIBITED.



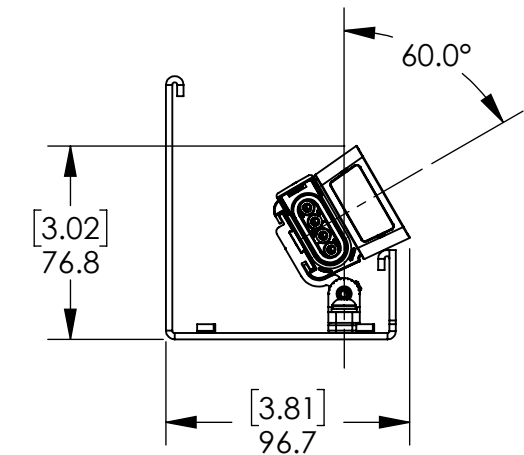
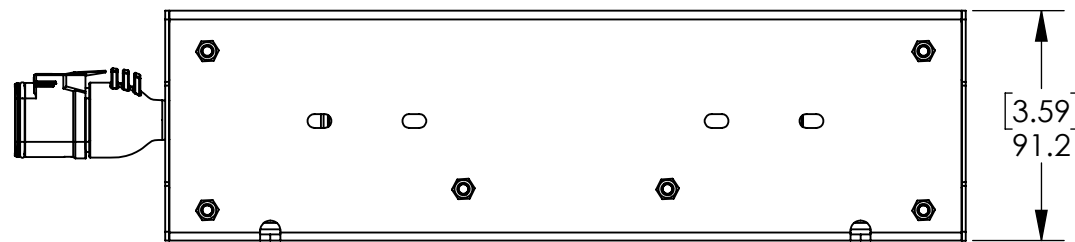
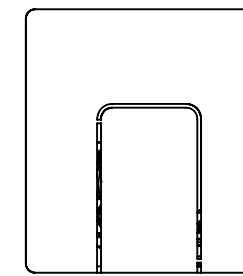
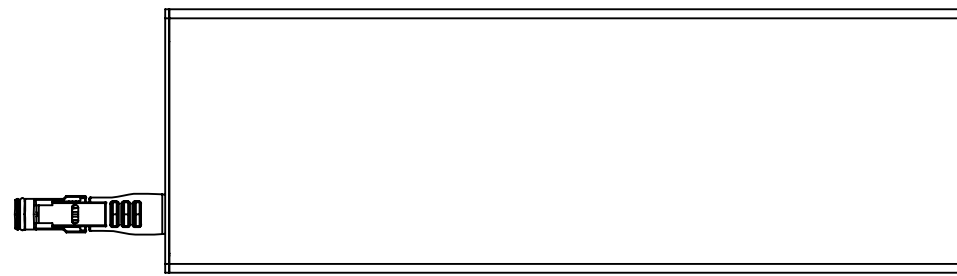
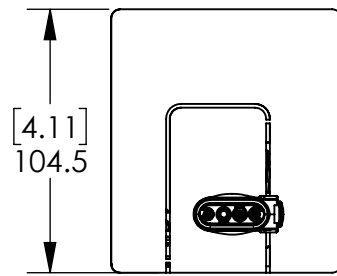
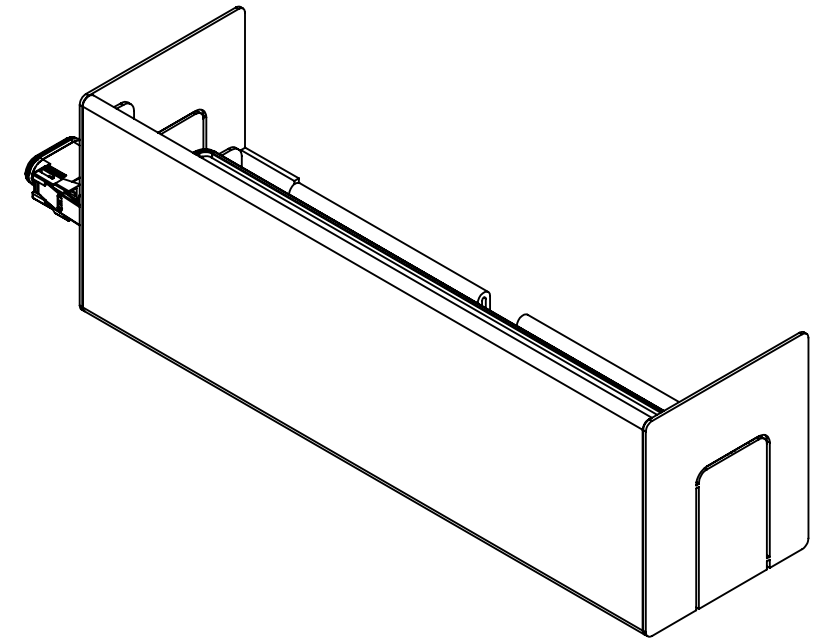
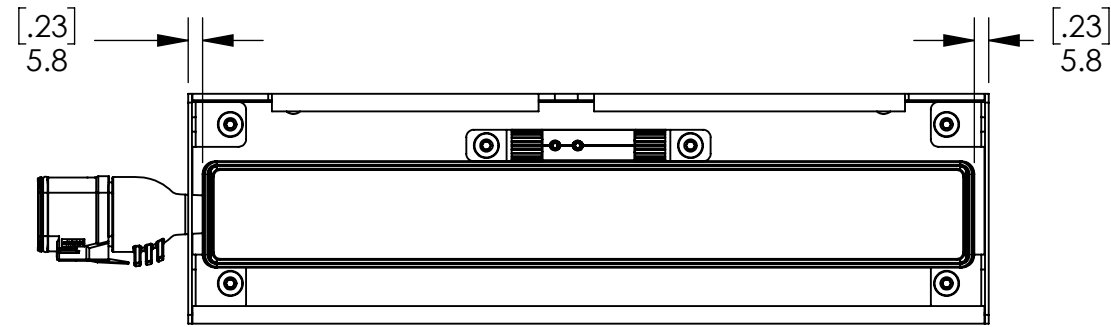
912400137116- ACCESSORY, GRAZE COMPACT, MASKING TRAY, LEFT END CAP

912400137116 - ACCESSORY, GRAZE COMPACT, MASKING TRAY, RIGHT END CAP

	DESCRIPTION	SIZE	DWG. NO.	REV
	PRODUCT DOCUMENT DRAWING, GRAZE COMPACT, ACCESSORIES	B	442295216700_510	A
DO NOT SCALE DWG		SCALE 1:2 SHEET 10 OF 16		

PROPRIETARY AND CONFIDENTIAL

THE INFORMATION CONTAINED IN THIS DRAWING IS THE SOLE PROPERTY OF COLOR KINETICS, INC. ANY REPRODUCTION IN PART OR AS A WHOLE WITHOUT THE WRITTEN PERMISSION OF COLOR KINETICS, INC. IS PROHIBITED.



MAX ROTATION 60 DEGRESS

ACCESSORY, GRAZE COMPACT, WITH MASKING TRAY



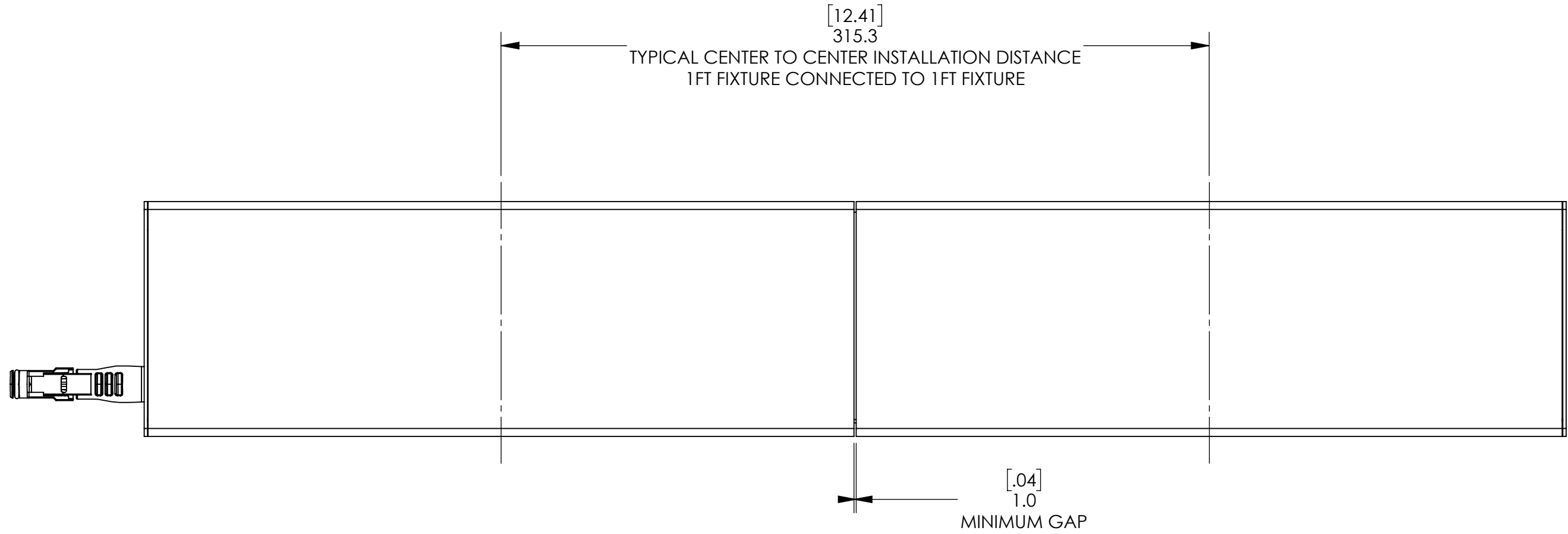
DESCRIPTION
PRODUCT DOCUMENT DRAWING,
GRAZE COMPACT, ACCESSORIES

SIZE	DWG. NO.	REV
B	442295216700_510	A

FILE NAME DO NOT SCALE DWG SCALE 1:3 SHEET 11 OF 16

PROPRIETARY AND CONFIDENTIAL

THE INFORMATION CONTAINED IN THIS DRAWING IS THE SOLE PROPERTY OF COLOR KINETICS, INC. ANY REPRODUCTION IN PART OR AS A WHOLE WITHOUT THE WRITTEN PERMISSION OF COLOR KINETICS, INC. IS PROHIBITED.

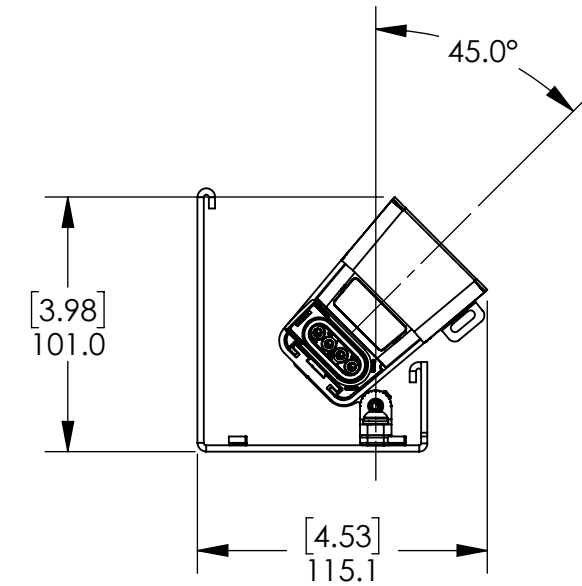
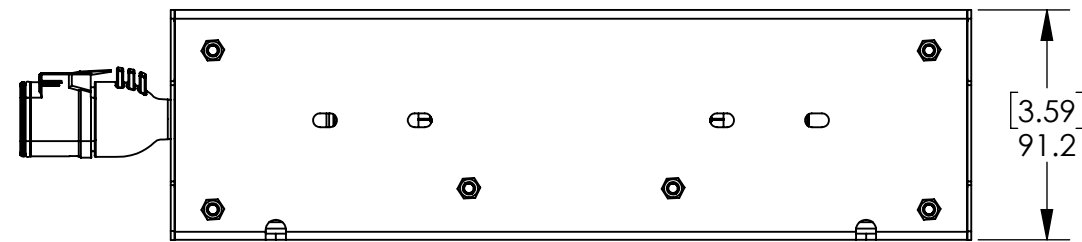
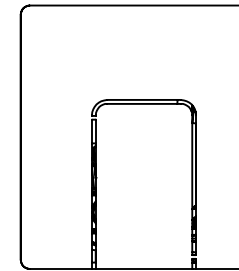
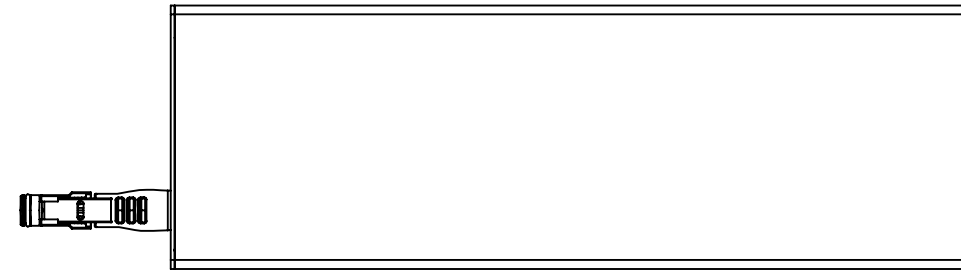
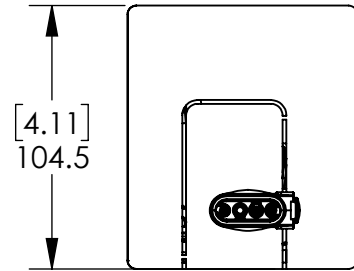
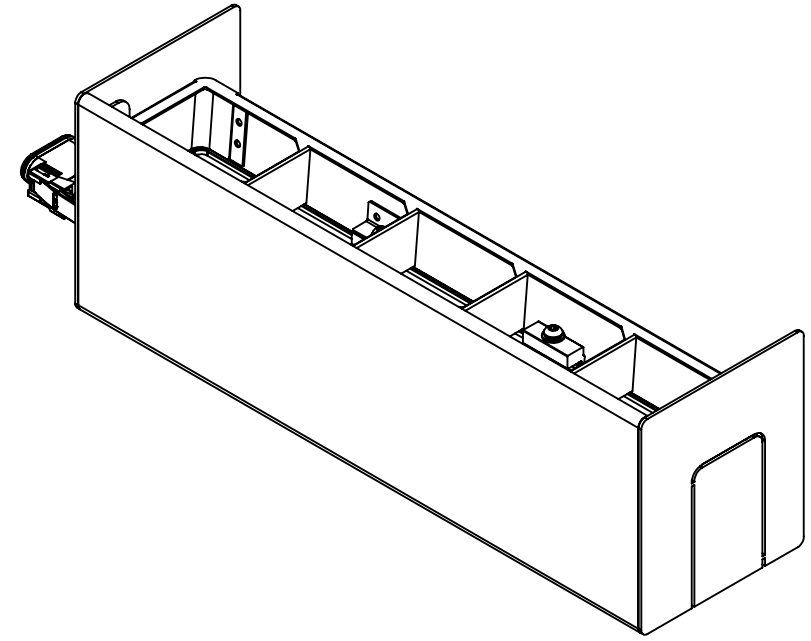
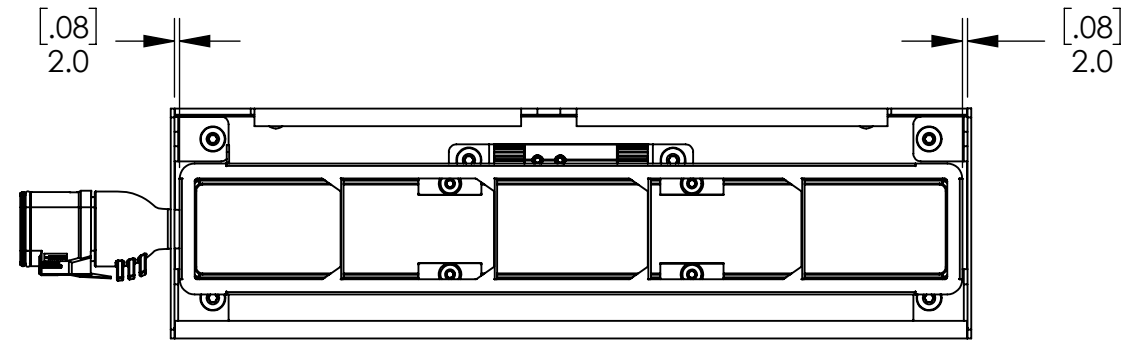


ACCESSORY, GRAZE COMPACT, WITH MASKING TRAY CONNECTED END TO END

	DESCRIPTION	SIZE	DWG. NO.	REV
	PRODUCT DOCUMENT DRAWING, GRAZE COMPACT, ACCESSORIES	B	442295216700_510	A
		FILE NAME	DO NOT SCALE DWG	SHEET 12 OF 16
		SCALE 1:2		

PROPRIETARY AND CONFIDENTIAL

THE INFORMATION CONTAINED IN THIS DRAWING IS THE SOLE PROPERTY OF COLOR KINETICS, INC. ANY REPRODUCTION IN PART OR AS A WHOLE WITHOUT THE WRITTEN PERMISSION OF COLOR KINETICS, INC. IS PROHIBITED.



MAX ROTATION 45 DEGRESS

ACCESSORY, GRAZE COMPACT, WITH MASKING TRAY & LOUVER



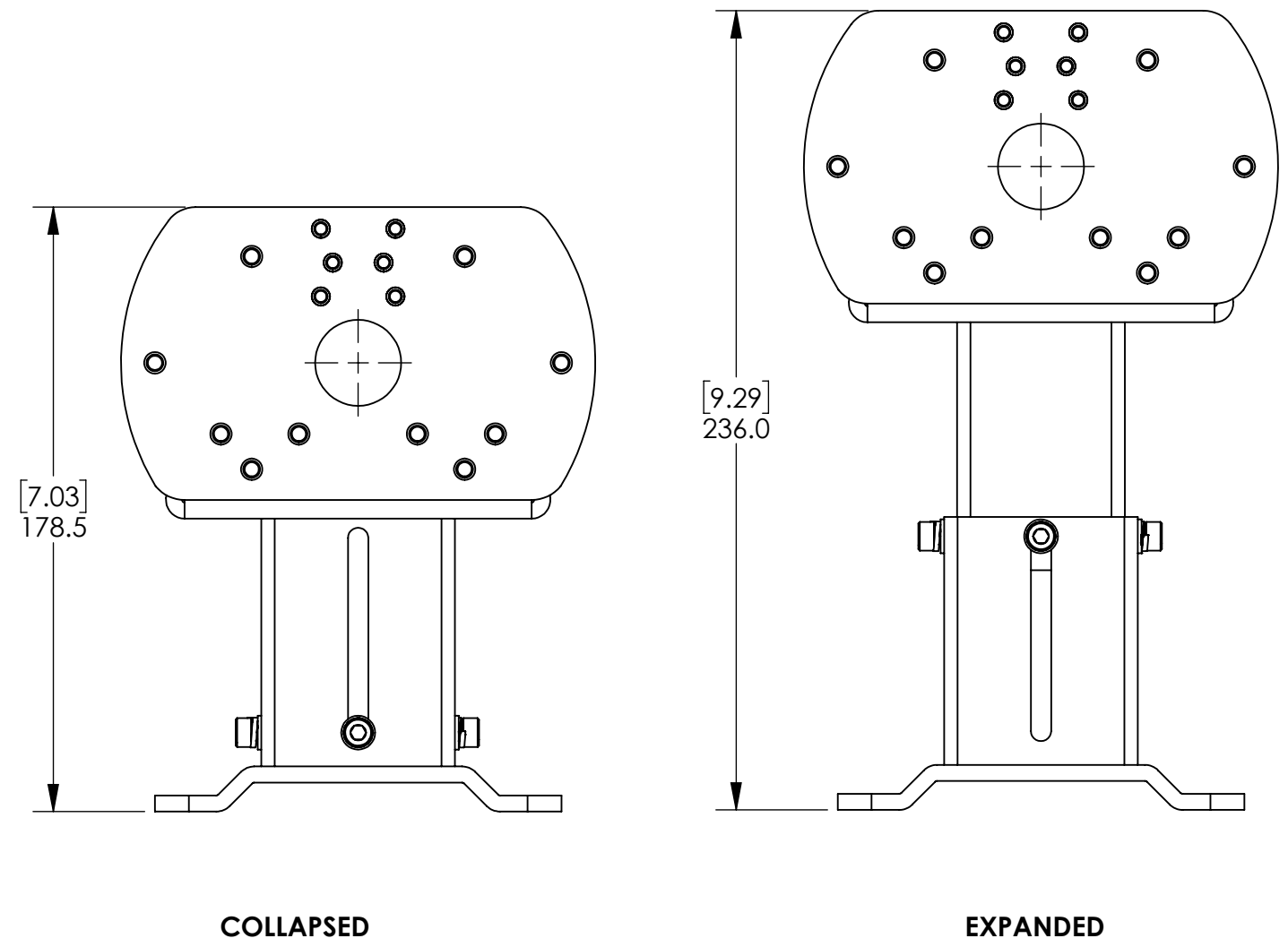
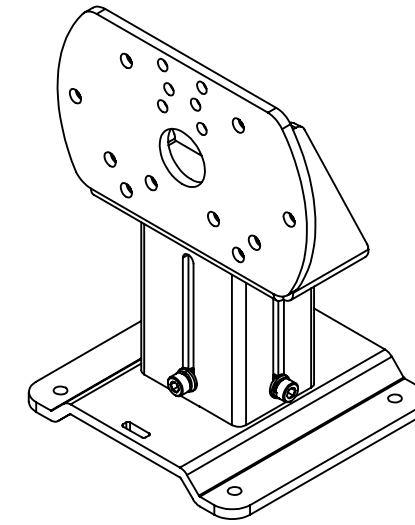
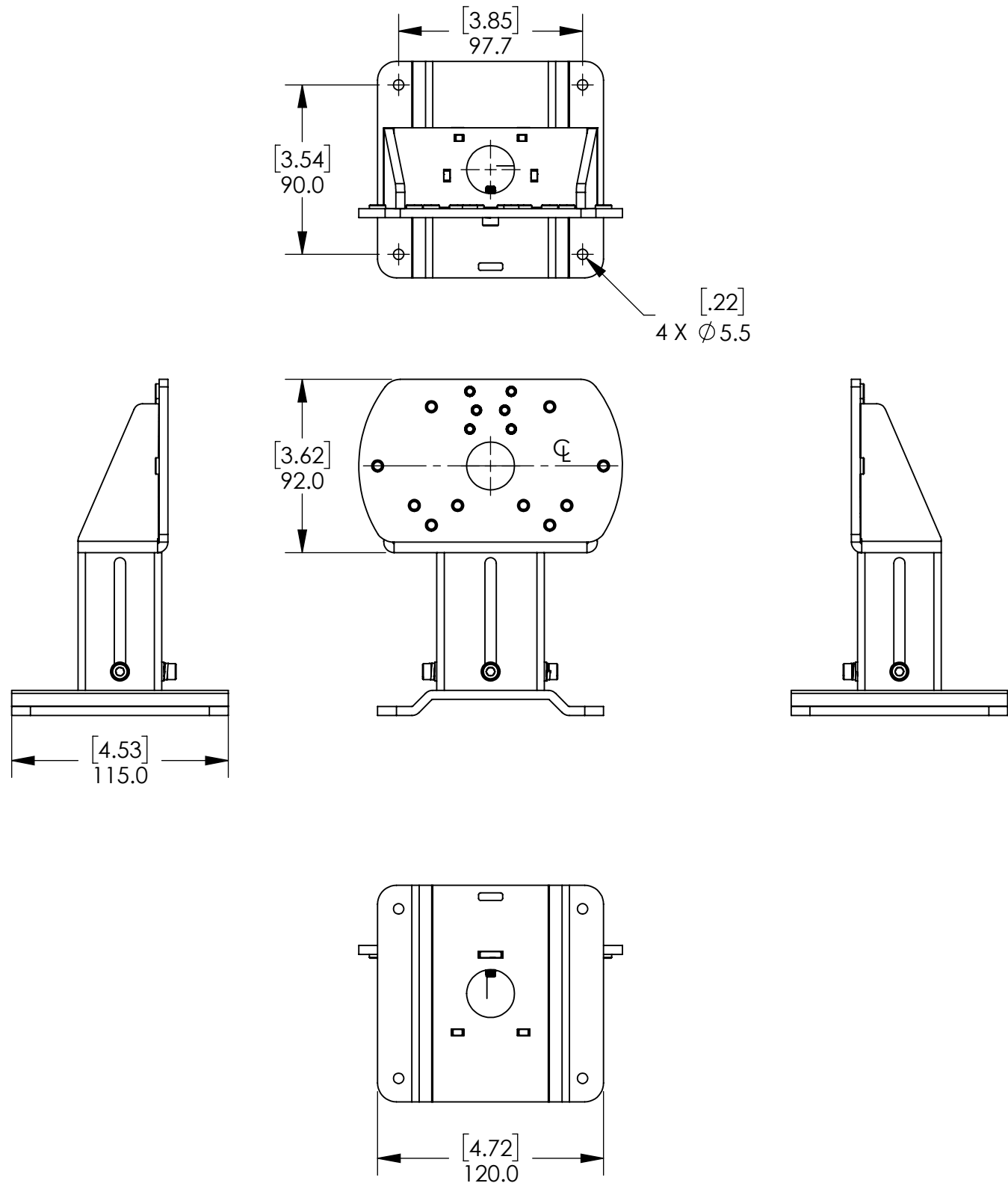
DESCRIPTION
PRODUCT DOCUMENT DRAWING,
GRAZE COMPACT, ACCESSORIES

SIZE	DWG. NO.	REV
B	442295216700_510	A

FILE NAME DO NOT SCALE DWG SCALE 1:3 SHEET 13 OF 16

PROPRIETARY AND CONFIDENTIAL

THE INFORMATION CONTAINED IN THIS DRAWING IS THE SOLE PROPERTY OF COLOR KINETICS, INC. ANY REPRODUCTION IN PART OR AS A WHOLE WITHOUT THE WRITTEN PERMISSION OF COLOR KINETICS, INC. IS PROHIBITED.



ACCESSORY, GRAZE COMPACT, SHORT MOUNTING ARM

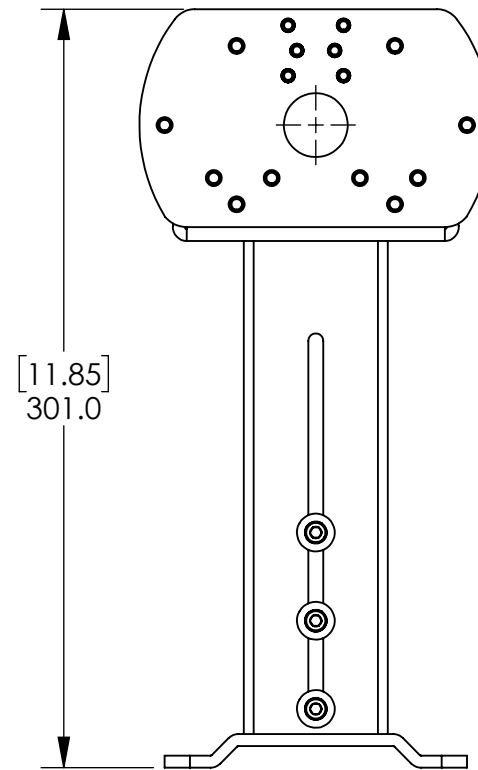
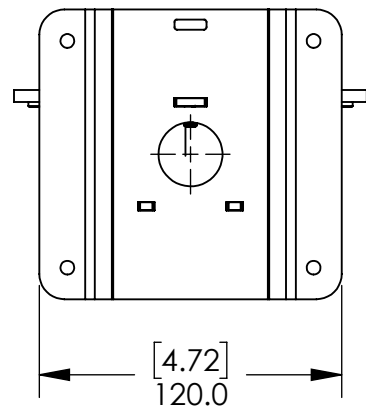
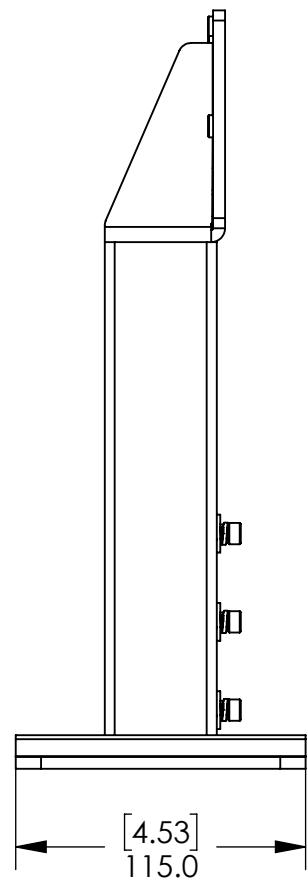
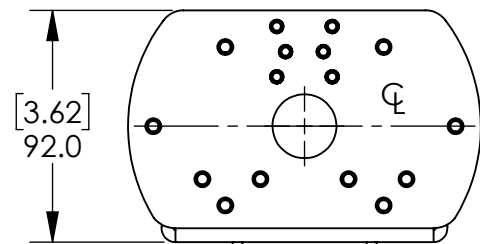
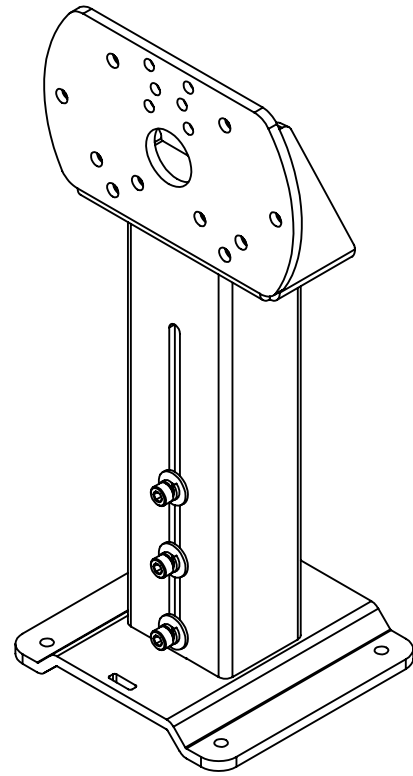
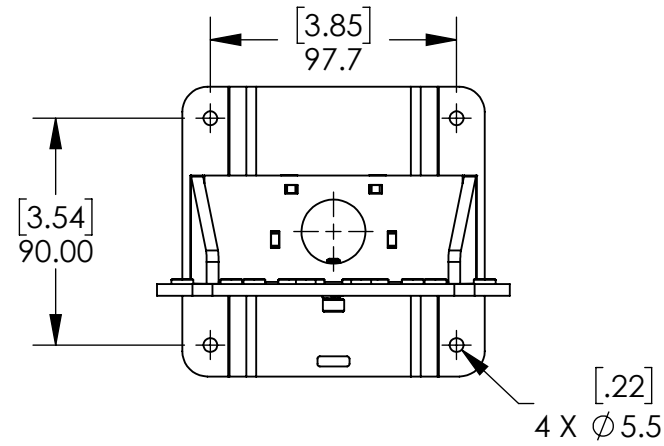


DESCRIPTION
PRODUCT DOCUMENT DRAWING,
GRAZE COMPACT, ACCESSORIES

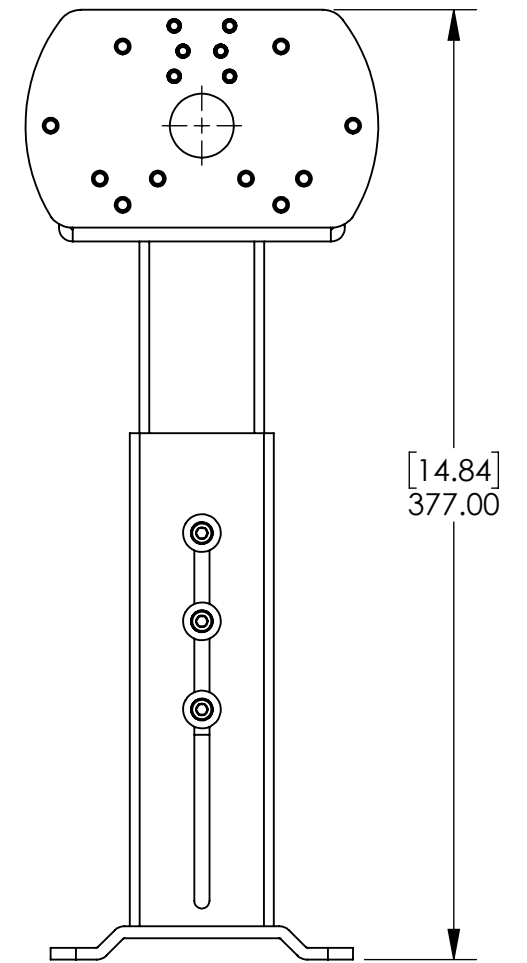
SIZE	DWG. NO.	REV
B	442295216700_510	A

FILE NAME: DO NOT SCALE DWG
SCALE 1:3 SHEET 14 OF 16

PROPRIETARY AND CONFIDENTIAL
 THE INFORMATION CONTAINED IN THIS DRAWING IS THE SOLE PROPERTY OF COLOR KINETICS, INC. ANY REPRODUCTION IN PART OR AS A WHOLE WITHOUT THE WRITTEN PERMISSION OF COLOR KINETICS, INC. IS PROHIBITED.



COLLAPSED



EXPANDED

ACCESSORY, GRAZE COMPACT, MEDIUM MOUNTING ARM



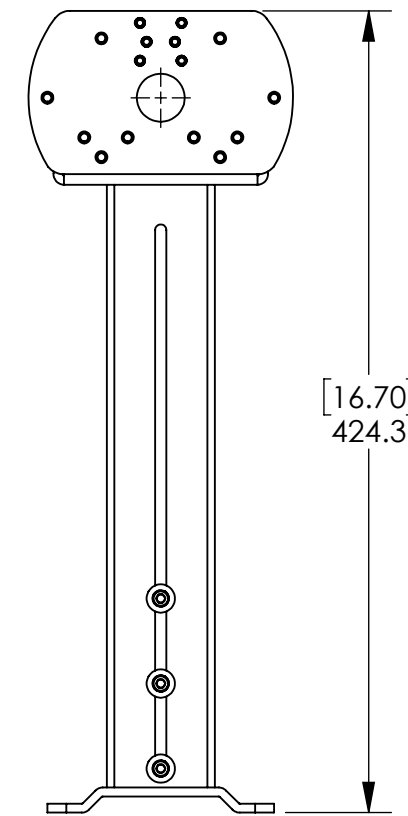
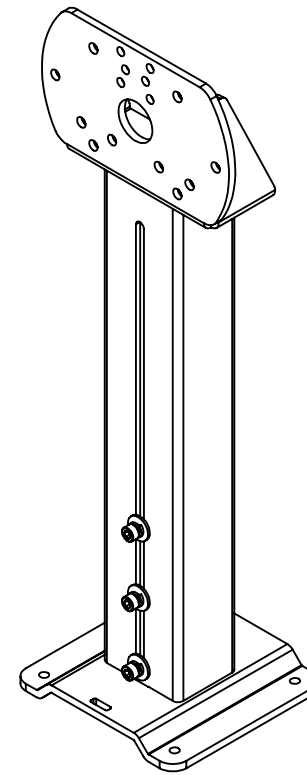
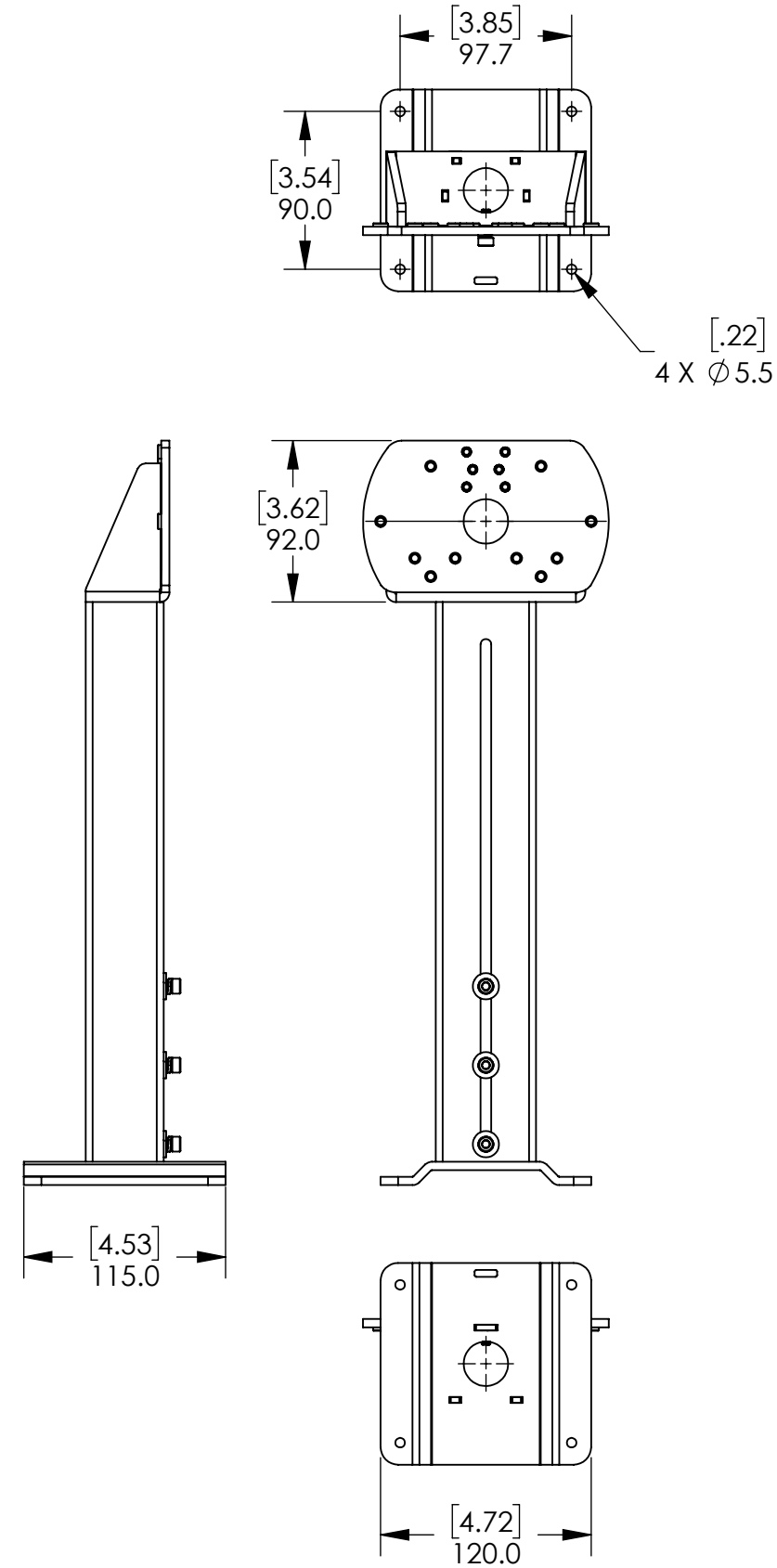
DESCRIPTION
**PRODUCT DOCUMENT DRAWING,
 GRAZE COMPACT, ACCESSORIES**

SIZE	DWG. NO.	REV
B	442295216700_510	A

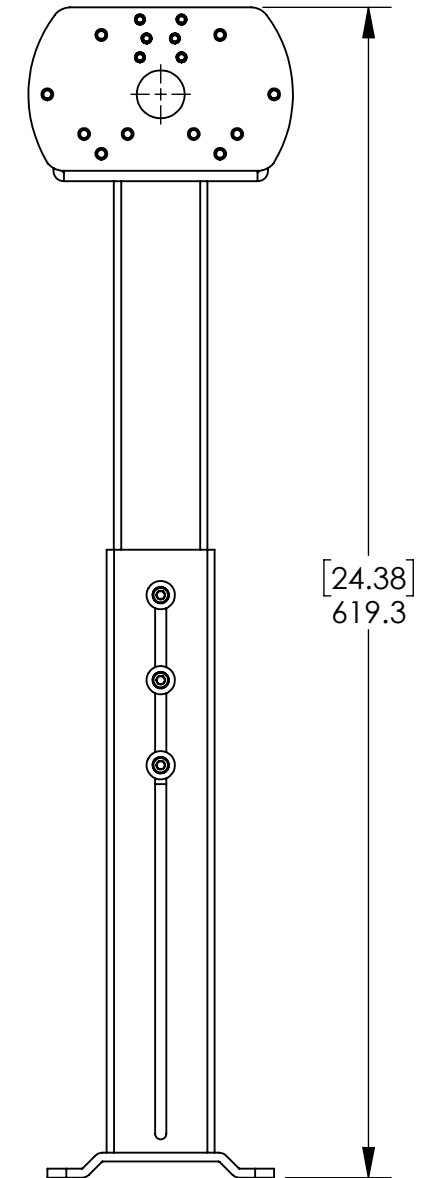
FILE NAME: DO NOT SCALE DWG SCALE 1:3 SHEET 15 OF 16

PROPRIETARY AND CONFIDENTIAL

THE INFORMATION CONTAINED IN THIS DRAWING IS THE SOLE PROPERTY OF COLOR KINETICS, INC. ANY REPRODUCTION IN PART OR AS A WHOLE WITHOUT THE WRITTEN PERMISSION OF COLOR KINETICS, INC. IS PROHIBITED.



COLLAPSED



EXPANDED

ACCESSORY, GRAZE COMPACT, LONG MOUNTING ARM



DESCRIPTION
**PRODUCT DOCUMENT DRAWING,
GRAZE COMPACT, ACCESSORIES**

SIZE	DWG. NO.	REV
B	442295216700_510	A

FILE NAME: DO NOT SCALE DWG
SCALE 1:4 SHEET 16 OF 16